



Your Partner of Flow Control System

# FORGED STEEL

Gate ,  
Globe ,  
Check Valve



[www.ydfvalve.com](http://www.ydfvalve.com)

Your Partner of Flow Control System

## YDF VALVE (SHANGHAI) CO., LTD

Head Office Add: Room 603, Moder Plaza (Building 1),  
No.369 Xianxia Road, Changning District, Shanghai,  
China, 200336

Tel: +86-21-60837322

Fax: +86-21-60837329

E-mail: [sales@ydfvalve.com](mailto:sales@ydfvalve.com)

# YDF

Your Partner of  
Flow Control System

YDF VALVES was established in year 1978, as one of the leading valve manufacturers in China, YDF is specialized in the development of innovative design, through intensive R&D programs and a commitment to be a good partner of flow control system.

YDF's main product lines include Ball, Gate, Globe, Check, Butterfly and Power Station valves. These products have been widely used throughout the world in Oil, Gas, Chemical, Refining, Power Generation, Marine and Pipeline Transmission industrial application.

## YDF's Facilities

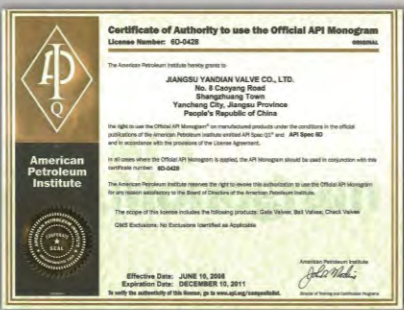
YDF sales headquarter is located in Shanghai, China, and YDF Valves are manufactured in 3 specialized manufacturing plants located in Yancheng City, Jiangsu Province, China, and 2 professional casting foundries located in Binhai City, Jiangsu Province, China. We have a total of 916 employees and 100,000 meter square cover area. YDF has a specialized quality testing center, CNC machine center and places high emphasis on numerous quality testing to ensure our customers receive the highest quality product possible. ERP system bring the real time production to high efficiency. In-house testing capacities include high pressure gas, cryogenic, high temperature, fugitive emission testing etc.

## Quality Assurance

YDF's quality assurance is dedicated to supply zero defect valves to customers with reliable service life. Through our quality compliance, we have achieved the following certifications: ISO9001, ISO14001, OASHS18001, CE/PED, ATEX, API 591, API6D, API 624, ABS ,TS and API607/6FA. In years to come, we at YDF will continue to build quality products that meet and exceed our customers' satisfaction.



ISO 9001      ISO 14001      OHSAS 18001



API 6D



CE



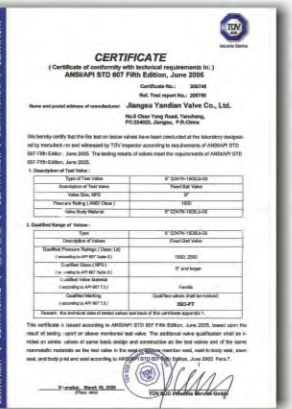
PED



API 591



API 6FA



API 607



ABS

# Contents

- 1-2 Company Introduction
- 3 How To Order
- 4-11 Gate Valve
- 12-20 Globe Valve
- 21-29 Check Valve
- 30 Product Quality Policy

# HOW TO ORDER

Example:

**1 GA, 6 S FW, A105N / No.1**

## 1 VALVE SIZE

GA

## VALVE TYPE

Valve Type	Gate Valve	Pressure-seal Gate Valve	Globe Valve	Pressure-seal Globe Valve	Piston Check Valve	Swing Check Valve	Pressure-seal Piston Check Valve	Pressure-seal Swing Check Valve
Symbol	GA	GAP	GL	GLP	P	SC	PP	SCP

6

## VALVE CLASS

ANSI Class	150	300	600	800	900	1500	2500
Symbol	1	3	6	8	9	15	25

S

## END CONNECTION

End Connection	Socket Welding End	NPT Screwed End	Butt Welding End	Screwed x Socket	Raised Flange	RTJ Flange
Symbol	S	N	B	SN	R	J

FW

## SPECIAL CODE

Description	Welding Bonnet	RTJ Bonnet	Full Port	Electric Actuator	Pneumatic Actuator
Symbol	FW	J	FP	M	P

A105N

## BODY MATERIALS

Body Materials	A105N	LF2	F11	F22	F5	F316	F304	F316L	F304L
ASTM Ref.	A105N	A350 Gr.LF2	A182 Gr.F11	A182 Gr.F22	A182 Gr.F5	A182 Gr.F316	A182 Gr.F304	A182 Gr.F316L	A182 Gr.F304L

NO.1

## TRIM MATERIALS

Symbol	Disc Surface	Seat Surface	Stem Materials
No.1	13Cr	13Cr	ASTM A182-F6a
No.2	18Cr-8Ni	18Cr-8Ni	ASTM A182-F304
No.5	Stellite	Stellite	ASTM A182-F6a
No.8	13Cr	Stellite	ASTM A182-F6a
No.10	18Cr-8Ni-Mo	18Cr-8Ni-Mo	ASTM A182-F316
No.12	18Cr-8Ni-Mo	Stellite	ASTM A182-F316
No.15	18Cr-8Ni	Stellite	ASTM A182-F304
No.16	Stellite	Stellite	ASTM A182-F316

# FORGED STEEL GATE VALVES

YDF forged steel gate valve are available in three bonnet designs.

1. The bolted bonnet, with male-female joint, spiral wound gasket, made in SS/Graphite. Ring joint gasket are also available on request;

2. The welded bonnet with a threaded and seal welded joint. On request a full penetration strength welded joint is available;

3. The pressure seal bonnet, with a threaded and pressure seal bonnet joint

Cryogenic gate valve is available.



Bolted Bonnet

Welded Bonnet

Pressure Seal Bonnet



## Design Feature

- Full port or Reduced port.
- OS&Y, Outside screw and yoke.
- The gland and gland flange self aligning design.
- Bolted bonnet/Welded Bonnet/Pressure seal bonnet.
- Integral backseat.
- Socket welded (SW) ends to ASME B16.11.
- Screwed ends (NPT) to ANSI/ASME B1.20.1.
- Flanges (RF/RTJ) according to AMSI B16.5.
- Integral flange or welded flange.
- BW ends to ASME B16.25.
- RTJ Ring body bonnet gasket ring joint type.

# GATE VALVE

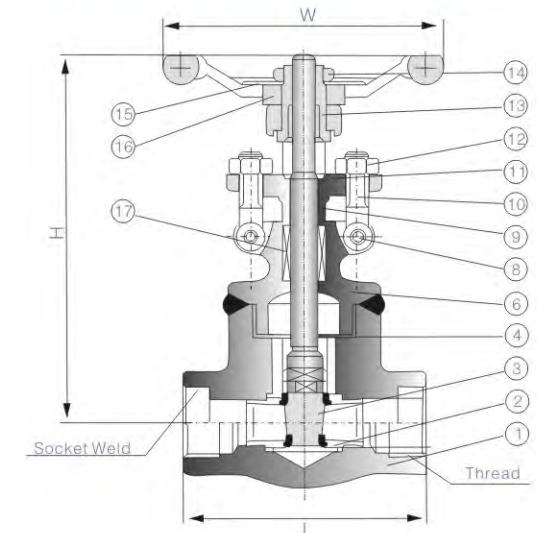
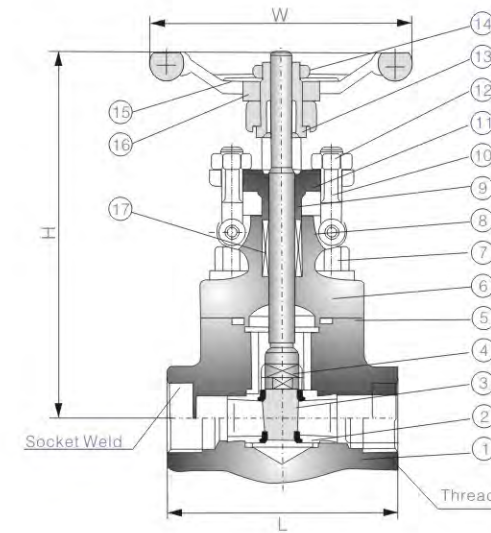
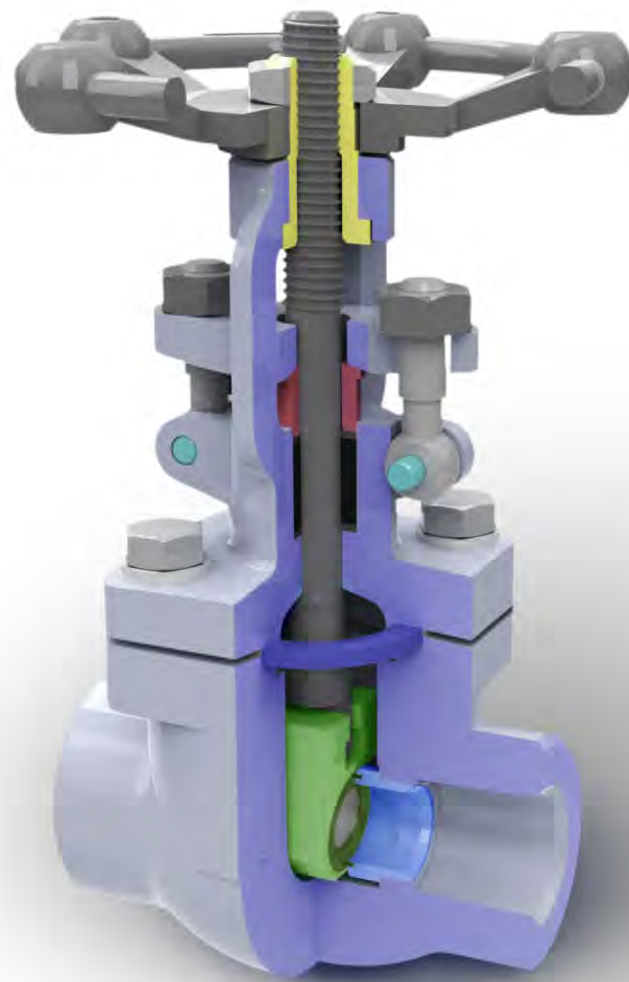
800LB 900LB 1500LB  
SW/NPT Ends

## Design construction and specifications:

YDF gate valve conform to API602, ISO17292 and ASME B16.34.

Testing according to API598.

Marking is per MSS SP-25.



## Standard material specifications

No.	Part Name	CS to ASTM	AS to ASTM	SS to ASTM	
		Type A105N	Type F22	Type F304(L)	Type F316(L)
1	Body	A105N	A182 F22	A182 F304(L)	A182 F316(L)
2	Seat	A182 F6a	A182 304	A182 304(L)	A182 316(L)
3	Wedge	A182 F6a+STL.6	A182 F304	A182 F304(L)	A182 F316(L)
4	Stem	A182 F6a	A182 F304	A182 F304(L)	A182 F316(L)
5	Gasket	SPW.SS304+Graphite	SPW.SS304+Graphite	SPW.SS304+Graphite	SPW.SS316+Graphite
6	Bonnet	A105N	A182 F22	A182 F304(L)	A182 F316(L)
7	Bonnet Bolt	A193 B7	A193 B16	A193 B8	A193 B8M
8	Pin	F304	F304	A182 F304	A182 F304
9	Gland	A276 410	A276 410	A182 F304(L)	A182 F316(L)
10	Gland Eyebolt	A193 B7	A193 B16	A193 B8	A193 B8M
11	Gland Flange	A105N	A182 F11	A182 F304(L)	A182 F316(L)
12	Gland Nut	A194 2H	A194 4	A194 8	A194 8M
13	Yoke Nut	A276 420	A276 420	A276 420	A276 420
14	H.W.Lock Nut	A194 2H	A194 4	A194 8	A194 8M
15	Nameplate	SS304	SS304	SS304	SS304
16	Handwheel	60-40-18	60-40-18	60-40-18	60-40-18
17	Stem Packing	Flexible Graphite	Flexible Graphite	PTFE	PTFE

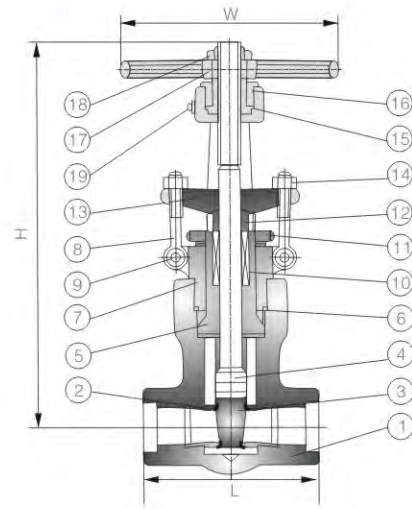
## Dimension and Weight

NPS		Conv. Full	3/8"	1/2"	3/4"	1"	1 1/4"	1 1/2"	2"	2 1/2"
			/	3/8"	1/2"	3/4"	1"	1 1/4"	1 1/2"	2"
800LB	L	mm	76	76	92	106	120	114	144	170
	H(OPEN)	mm	158	158	169	197	236	246	283	330
	W	mm	100	100	100	125	160	160	160	200
	Weight	Bolted	kg	2.1	2.0	2.3	4.3	5.9	6.9	11.1
Welded		kg	1.8	1.7	2.0	3.8	5.1	6.1	10.2	14.2
900LB 1500LB	L	mm	111	111	111	120	120	140	170	210
	H(OPEN)	mm	169	197	197	236	246	283	330	354
	W	mm	125	125	125	160	160	180	200	210
	Weight	Bolted	kg	2.5	4.3	4.2	6.6	8.8	12.5	17.2
Welded		kg	2.4	4.2	4.0	6.3	8.7	12.1	17.2	22.0



# PRESSURE-SEAL GATE VALVE

900LB ~2500LB  
SW/NPT Ends



### Standard material specifications

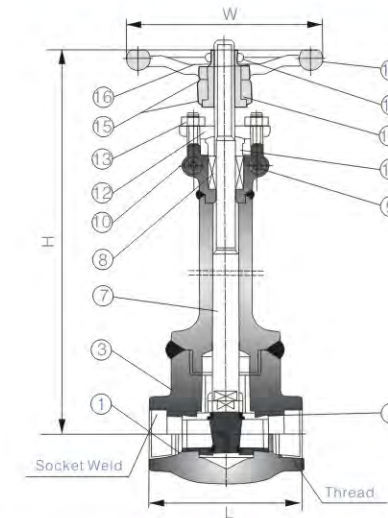
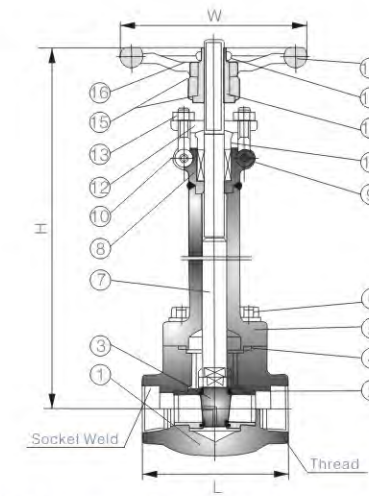
No.	Part Name	CS to ASTM	AS to ASTM	SS to ASTM	
		Type A105N	Type F22	Type F304(L)	Type F316(L)
1	Body	A105N	A182 F22	A182 F304(L)	A182 F316(L)
2	Seat	A182 F6a+stl.6	A182304	A182304(L)	A182 316(L)
3	Wedge	A182 F6a	A182 F304	A182 F304(L)	A182 F316(L)
4	Stem	A182 F6a	A182 F304	A182 F304(L)	A182 F316(L)
5	Pressure Seat	A105N	A182 F304	A182 F304(L)	A182 F316(L)
6	Pressure Ring	F6a	A276 304L	A276 304L	A276 316(L)
7	Bonnet	A105N	A182 F22	A182 F304(L)	A182 F316(L)
8	Gland Eyebolt	A193 B7	A193 B16	A193 B8	A193 B8M
9	Pin	F304	F304	A182 F304(L)	A182 F304(L)
10	Stem Packing	Flexible Graphite	Flexible Graphite	PTFE	PTFE
11	P.S.Lock Nut	A105N	F22	F304	F316
12	Gland	A276 F420	A276 F420	A182 F304	A182 F304
13	Gland Flange	A216 WCB A105N	A216 WCB A105N	A351 CF8	A351 CF8
14	Gland Nut	A194 2H	A194 4	A194 8	A194 8M
15	Yoke Nut	A276-410	A276-410	A276-410	A276-410
16	Retaining Nut	A194 2H	A194 4	A194 8	A194 8M
17	Handwheel	60-40-18	60-40-18	60-40-18	60-40-18
18	H.W.Lock Nut	A194 2H	A194 4	A194 8	A194 8M
19	Oil Cup	Brass	Brass	Brass	Brass

### Dimension and Weight

	NPS		1/2"	3/4"	1"	1 1/4"	1 1/2"	2"
	L	mm	120	120	140	178	178	216
900LB	H(OPEN)	mm	321	321	321	380	414	502
	W	mm	160	160	180	200	250	280
	Weight	kg	11.5	10.8	10.5	19.6	21.0	55.4
1500LB	L	mm	120	120	140	178	178	216
	H(OPEN)	mm	321	321	321	380	414	502
	W	mm	160	160	180	200	250	280
2500LB	Weight	kg	11.5	10.8	10.5	19.6	21.0	55.4
	L	mm	140	140	186	232	232	279
	H(OPEN)	mm	321	321	321	380	414	502
	W	mm	160	160	180	200	250	280
	Weight	kg	12.3	11.6	10.8	26.0	28.4	60.0

# LOW TEMPERATURE / CRYOGENIC GATE VALVE

800LB  
SW/NPT Ends



### Standard material specifications

No.	Part Name	AS to ASTM	AS to ASTM	SS to ASTM	
		Type LF2	Type LF3	Type F304(L)	Type F316(L)
1	Body	A350 LF2	A350 LF3	A182 F304(L)	A182 F316(L)
2	Seat	A182 F6a+STL	A182 F304	A182 304(L)	A182 316(L)
3	Wedge	A350 LF2	A350 LF3	A182 F304(L)	A182 F316(L)
4	Gasket	SPW.SS304+Graphite	SPW.SS304+Graphite	SPW.SS304+Graphite	SPW.SS316+Graphite
5	Bonnet	A350 LF2	A352 LF3	A182 F304(L)	A182 F316(L)
6	Bonnet Bolt	A320 L7	A320 L7	A193 B8	A193 B8M
7	Stem	A182 F6	A182 F6	A182 F304(L)	A182 F316(L)
8	Stem Packing	Flexible Graphite	Flexible Graphite	PTFE	PTFE
9	Pin	F304	F304	A276 304	A182 F304
10	Gland Eyebolt	A320 L7	A320 L7	A193 B8	A193 B8M
11	Gland	A276 410	A276 F410	A182 F304(L)	A182 F316(L)
12	Gland Flange	A105N	A105N	A182 F304(L)	A182 F316(L)
13	Gland Nut	A194 4	A194 4	A194 8	A194 8M
14	Yoke Nut	A276-420	A276-420	A276-420	A276-420
15	Nameplate	SS304	SS304	SS304	SS304
16	Handwheel	A194 2H	A194 4	A194 8	A194 8M
17	H.W.Lock Nut	60-40-18	60-40-18	60-40-18	60-40-18

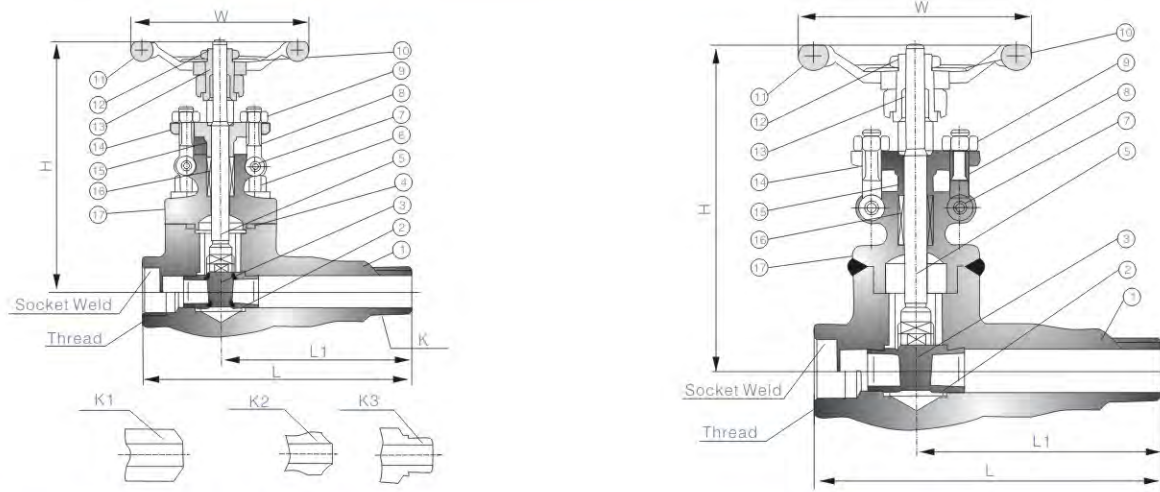
### Dimension and Weight

	NPS			1/2"	3/4"	1"	1 1/4"	1 1/2"	2"	2 1/2"
		Conv.	Full	3/8"	1/2"	3/4"	1"	1 1/4"	1 1/2"	2"
800LB	L	mm		76	92	106	120	114	144	170
	H(OPEN)	mm		330	333	360	407	475	475	551
	W	mm		100	100	125	160	160	180	200
Weight	Bolted	kg		5.2	7.1	9.4	13.5	15	17.8	28.0
	Welded	kg		4.8	6.4	8.7	12.2	13.4	15.2	26.0



# EXTENDED BODY GATE VALVE

800LB  
SW/NPT Ends



Standard material specifications

No.	Part Name	CS to ASTM	AS to ASTM	SS to ASTM	
		Type A105N	Type LF3	Type F304(L)	Type F316(L)
1	Body	A105N	A182 F22	A182 F304(L)	A182 F316(L)
2	Seat	A276 420 A182 F6a+STL	A182 304	A182 304(L)	A182 316(L)
3	Wedge	A182 F6a	A182 F304	A182 F304(L)	A182 F316(L)
4	Gasket	SPW. SS304+Graphite	SPW. SS304+Graphite	SPW. SS304+Graphite	SPW. SS316+Graphite
5	Stem	A182 F6a	A182 F304	A182 F304(L)	A182 F316(L)
6	Bonnet Bolt	A193 B7	A193 B16	A193 B8	A193 B8M
7	Pin	A276 420	A276 420	A276 304	A182 F304
8	Gland Eyebolt	A193 B7	A193 B16	A193 B8	A193 B8M
9	Gland Nut	A194 2H	A194 4	A194 8	A194 8M
10	Nameplate	SS304	SS304	SS304	SS304
11	Handwheel	A197	A197	A197	A197
12	H.W.Lock Nut	A194 2H	A194 4	A194 8	A194 8M
13	Yoke Nut	A276-420	A276-420	A276-420	A276-420
14	Gland Flange	A105N	A182 F11		A182 F316(L)
15	Gland	A276 410	A276 F410	A182 F304(L)	A182 F316(L)
16	Stem Packing	Flexible Graphite	Flexible Graphite	PTFE	PTFE
17	Bonnet	A105N	A182 F22	A182 F304(L)	A182 F316(L)

The Specific Connection Code

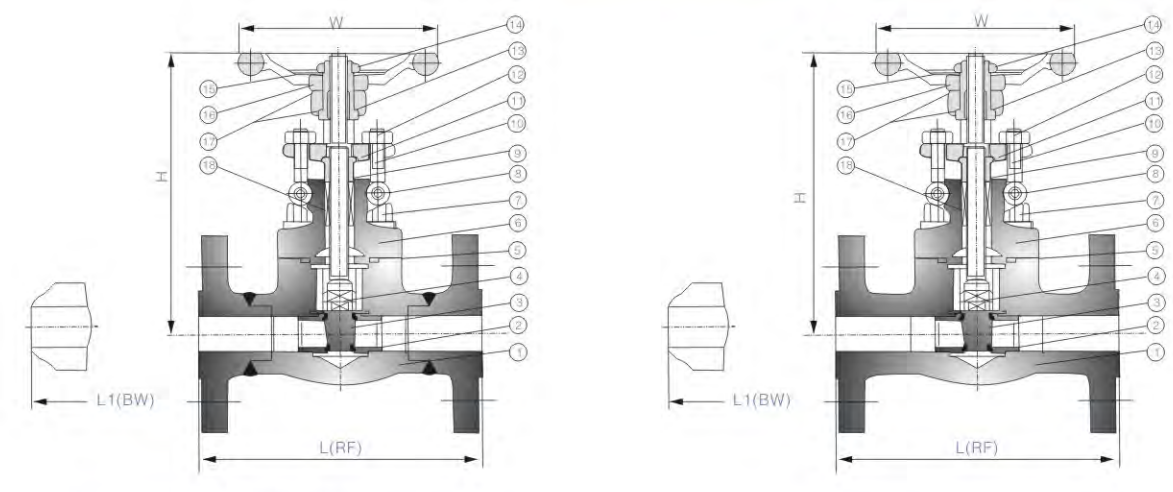
Connection Code	K	K1	K2	K3
	Screwed Weld	Inclined End	A Full Strength End	Socket Weld End

Dimension and Weight

NPS	Conv. Full	3/8"	1/2"	3/4"	1"	1 1/4"	1 1/2"	2"	
									3/8"
800LB	L1	mm	107.5	107.5	107.5	120	127	127	152
	L	mm	147	147	153.5	175.5	187	187	222
	H(OPEN)	mm	158	158	169	197	236	246	283
	W	mm	100	100	100	125	160	160	180
	Weight	Bolted	kg	3.1	2.9	3.4	5.5	7.8	8.3
	Welded	kg	2.8	2.6	3.1	5.1	7.4	7.6	12.1

# FLANGED END GATE VALVE

150LB 300LB 600LB 900LB 1500LB  
BW/RF Ends



Standard material specifications

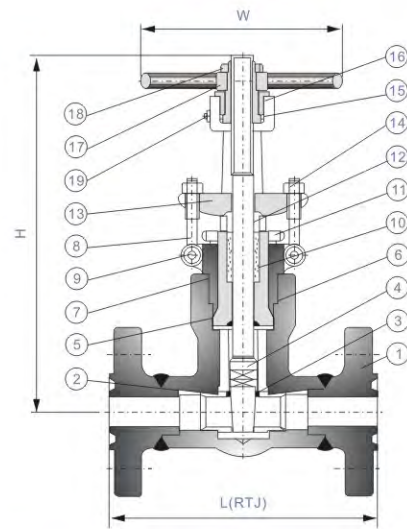
No.	Part Name	CS to ASTM	AS to ASTM	SS to ASTM	
		Type A105N	Type LF3	Type F304(L)	Type F316(L)
1	Body	A105N	A182 F22	A182 F304(L)	A182 F316(L)
2	Seat	A182 F6a+STL.6	A182 304	A182 304(L)	A182 316(L)
3	Wedge	A182 F6a	A182 F304	A182 F304(L)	A182 F316(L)
4	Stem	A182 F6a	A182 F304	A182 F304(L)	A182 F316(L)
5	Gasket	SPW.SS304+Graphite	SPW.SS304+Graphite	SPW.SS304+Graphite	SPW.SS316+Graphite
6	Bonnet	A105N	A182 F22	A182 F304(L)	A182 F316(L)
7	Bonnet Bolt	A193 B7	A193 B16	A193 B8	A193 B8M
8	Pin	F304	F304	A276 304	A276 304
9	Gland	A276 410	A276 F410	A182 F304(L)	A182 F316(L)
10	Gland Eyebolt	A193 B7	A193 B16	A193 B8	A193 B8M
11	Gland Flange	A105N	A182 F11	A182 F304(L)	A182 F316(L)
12	Gland Nut	A194 2H	A194 4	A194 8	A194 8M
13	Yoke Nut	A276-410	A276-410	A276-410	A276-410
14	H.W.Lock Nut	A194 2H	A194 4	A194 8	A194 8M
15	Nameplate	SS	SS	SS	SS
16	Handwheel	60-40-18	60-40-18	60-40-18	60-40-18
17	Stem Packing	Flexible Graphite	Flexible Graphite	Flexible Graphite	Flexible Graphite

Dimension and Weight

NPS	L(RF)	mm	1/2	3/4	1	1 1/4	1 1/2	2	
			216	229	254	279	305	371	
150LB	L1(BW)	mm	108	117	127	140	165	178	
	H(OPEN)	mm	158	169	197	236	246	283	
	W	mm	100	100	125	160	160	160	
	Weight	RF	kg	4.5	5.2	8.2	11.5	12.5	20.3
		BW	kg	2.8	3.3	5.4	7.1	8.2	12.5
300LB	L(RF)	mm	140	152	165	178	190	216	
	L1(BW)	mm	140	152	165	178	190	216	
	H(OPEN)	mm	158	169	197	236	246	283	
	W	mm	100	100	125	160	160	160	
	Weight	RF	kg	4.8	6.2	9.3	14	15.5	23.4
	BW	kg	3.5	4.4	6.8	8.1	9.2	15.4	
600LB	L(RF)	mm	165	190	216	229	241	292	
	L1(BW)	mm	165	190	216	229	241	292	
	H(OPEN)	mm	169	197	236	246	283	320	
	W	mm	100	100	125	160	160	160	
	Weight	RF	kg	5.9	7.4	10.4	16.2	17.5	28.3
	BW	kg	4.5	5.1	8.2	10.5	12.4	20.1	
900LB	L(RTJ)	mm	216	229	254	279	305	371	
	L1(BW)	mm	216	229	254	279	305	368	
	H(OPEN)	mm	197	197	236	246	283	330	
	W	mm	125	125	160	160	180	200	
	Weight	RTJ	kg	7.2	11.5	15.6	16.2	22.6	32.8
	BW	kg	5.2	9.3	12.4	13.8	18.9	27.5	
1500LB	L(RTJ)	mm	216	229	254	279	305	371	
	L1(BW)	mm	216	229	254	279	305	368	
	H(OPEN)	mm	197	197	236	246	283	330	
	W	mm	125	125	160	160	180	200	
	Weight	RTJ	kg	7.2	11.5	15.6	16.2	22.6	32.8
	BW	kg	5.2	9.3	12.4	13.8	18.9	27.5	

# FLANGED END PRESSURE SEAL GATE VALVE

900LB~2500LB  
RTJ Ends



### Standard material specifications

No.	Part Name	CS to ASTM	AS to ASTM	SS to ASTM	
		Type A105N	Type F22	Type F304(L)	Type F316(L)
1	Body	A105N	A182 F22	A182 F304(L)	A182 F316(L)
2	Seat	A182 F6a+STL	A182 304	A182 304(L)	A182 316(L)
3	Wedge	A182 F6a	A182 F304	A182 F304(L)	A182 F316(L)
4	Stem	A182 F6a	A182 F304	A182 F304(L)	A182 F316(L)
5	Pressure Seat	A105N	A182 F304	A182 F304(L)	F316(L)
6	Pressure Ring	A182 F6a	A276 304L	A276 304L	A276 316L
7	Bonnet	A105N	A182 F22	A182 F304(L)	A182 F316(L)
8	Gland Eyebolt	A193 B7	A193 B16	A193 B8	A193 B8M
9	Pin	F304	F304	A182 F304	A182 F304
10	Stem Packing	Flexible Graphite	Flexible Graphite	Flexible Graphite	Flexible Graphite
11	P.S.Lock Nut	A194 2H	A194 4	A194 8	A194 8M
12	Gland	A276 420	A276 420	A182 F304	A182 F304
13	Gland Flange	A105N	A105N	F304	F304
14	Nut	A194 2H	A194 4	A194 8	A194 8M
15	Yoke Nut	A276 420	A276 420	A276-420	A276-420
16	Retaining Nut	A194 2H	A194 4	A194 8	A194 8M
17	Handwheel	60-40-18	60-40-18	60-40-18	60-40-18
18	H.W.Lock Nut	A194 2H	A194 4	A194 8	A194 8M
19	Oil Cup	Brass	Brass	Brass	Brass

### Dimension and Weight

NPS		mm	1/2"	3/4"	1"	1 1/4"	1 1/2"	2"
			900LB	L(RTJ)	mm	216	229	254
	H(OPEN)	mm	216	250	270	320	350	445
	W	mm	160	160	180	200	250	280
	Weight	kg	19.6	21.5	25.7	37.8	48.5	99.8
1500LB	L(RTJ)	mm	216	229	254	279	305	317
	H(OPEN)	mm	216	250	270	320	350	445
	W	mm	160	160	180	200	250	280
	Weight	kg	19.6	21.5	25.7	37.8	48.5	99.8
2500LB	L(RTJ)	mm	264	273	308	349	384	454
	H(OPEN)	mm	321	321	321	373	406	495
	W	mm	160	160	180	200	250	280
	Weight	kg	21.5	24.7	30.4	48.1	58.1	130.0

# FORGED STEEL GLOBE VALVES



Bolted Bonnet



Welded Bonnet



Pressure Seal Bonnet

YDF Forged steel globe valve are available in three bonnet designs.

1, The bolted bonnet with male-female joint, spiral wound gasket, made in SS/Graphite. Ring joint gasket are also available on request.

2, The welded bonnet with a threaded and seal welded joint. On request a full penetration strength welded joint is available.

3, The pressure seal bonnet, with a threaded and pressure seal bonnet joint.

Cryogenic design globe valve and Y pattern globe valve are available.

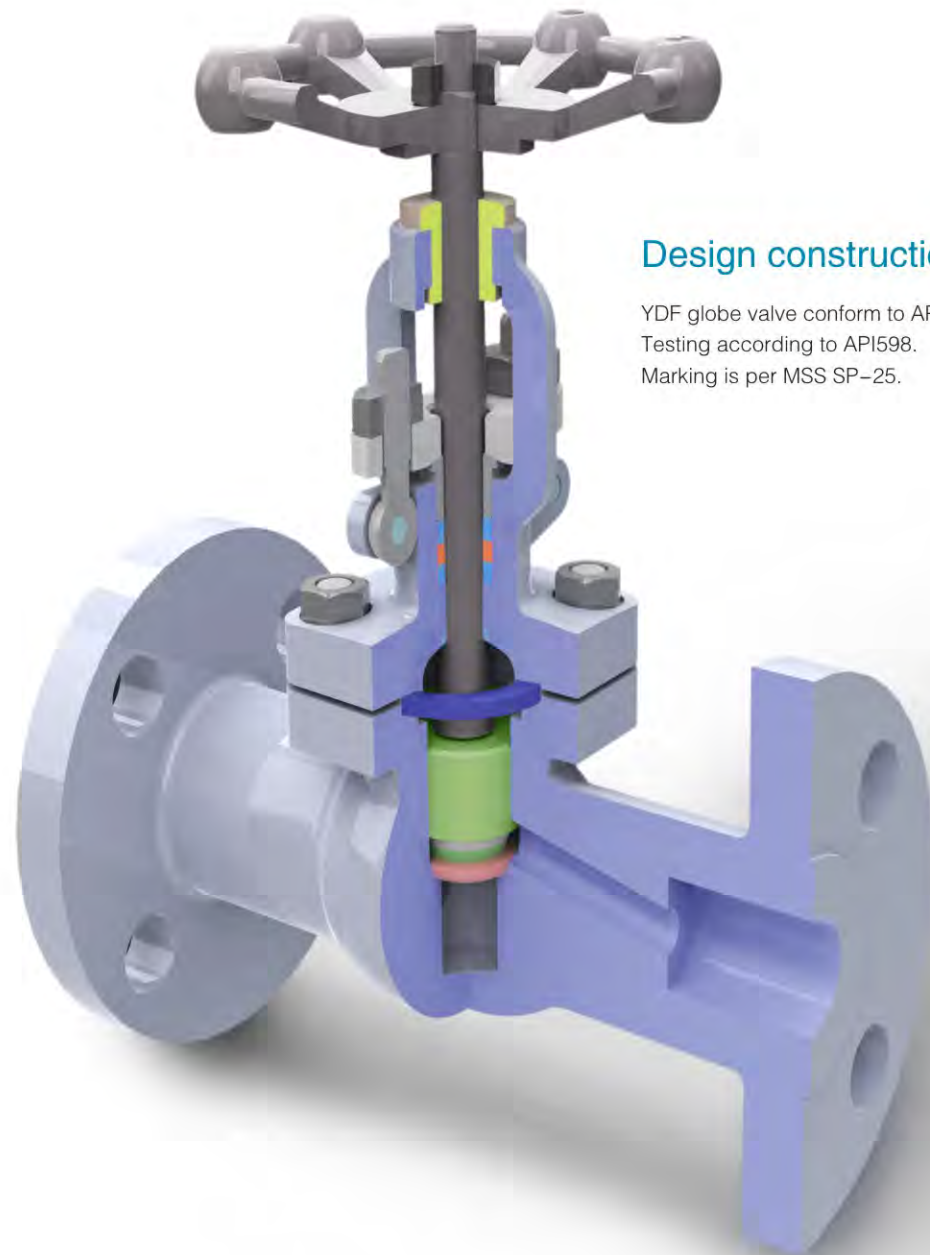
### Design Feature

- Full port or Reduced port.
- OS&Y, Outside screw and yoke.
- The gland and gland flange self aligning design.
- Bolted bonnet/Welded Bonnet/Pressure seal bonnet.
- The disc an transfer valve to be throttle, needle and ball type.
- Socket welded (SW) ends to ASME B16.11.
- Screwed ends (NPT) to ANSI/ASME B1.20.1.
- Flanges (RF/RTJ) according to AMSI B16.5.
- Integral flange or welded flange.
- BW ends to ASME B16.25.
- RTJ Ring body bonnet gasket ring joint type.



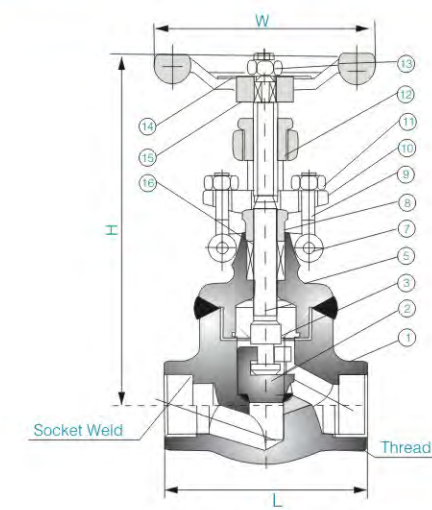
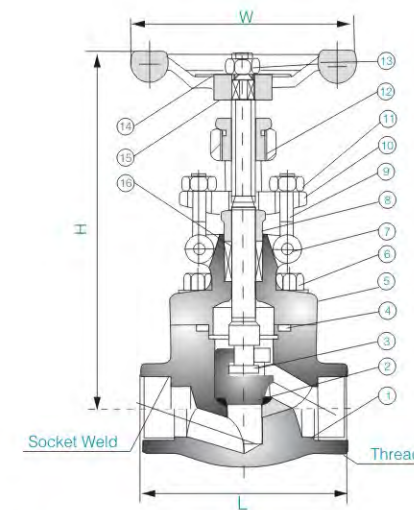
# GLOBE VALVE

800LB 900LB 1500LB  
SW/NPT Ends



## Design construction and specifications

YDF globe valve conform to API602, ISO17292 and ASME B16.34.  
Testing according to API598.  
Marking is per MSS SP-25.



## Standard material specifications

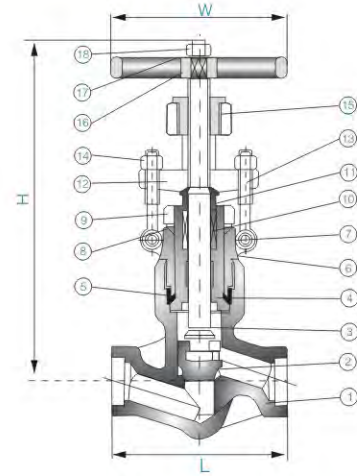
No.	Part Name	CS to ASTM	AS to ASTM	SS to ASTM	
		Type A105N	Type F22	Type F304(L)	Type F316(L)
1	Body	A105N+STL.6	A182 F22+STL.6	A182 F304(L)+STL.6	A182 F316(L)+STL.6
2	Disc	A182 F6a	A182 F304	A182 304(L)	A182 316(L)
3	Stem	A182 F6a	A182 F304	A182 F304(L)	A182 F316(L)
4	Gasket	SPW.SS 304+GT	SPW.SS 304+GT	316 SS+PTFE	316 SS+PTFE
5	Bonnet	A105N	A276 304	A182 F304(L)	A276 F316(L)
6	Bonnet Bolt	A193 B7	A193 B16	A193 B8	A193 B8M
7	Pin	F304	F304	A276 304	A182 F304
8	Gland	A276 410	A276 410	A182 F304(L)	A182 F316(L)
9	Gland Eyebolt	A193 B7	A193 B16	A193 B8	A193 B8M
10	Gland Flange	A105N	A105N	F304	F304
11	Gland Nut	A194 2H	A194 4	A194 8	A194 8M
12	Yoke Nut	A276 410	A276 410	A276 410	A276 410
13	H.W.Lock Nut	A194 2H	A194 4	A194 8	A194 8M
14	Nameplate	SS304	SS304	SS304	SS304
15	Handwheel	60-40-18	60-40-18	60-40-18	60-40-18
16	Stem Packing	Flexible Graphite	Flexible Graphite	Flexible Graphite	Flexible Graphite

## Dimension and Weight

NPS		Conv. Full	3/8"	1/2"	3/4"	1"	1 1/4"	1 1/2"	2"	/	
			/	3/8"	1/2"	3/4"	1"	1 1/4"	1 1/2"	2"	
800LB	L	mm	76	76	92	106	120	148	172	220	
	H(CLOSE)	mm	165	165	170	185	220	220	280	320	
	W	mm	100	100	100	125	160	160	180	200	
	Weight	Bolted	kg	1.9	1.9	2.1	3.5	6.0	7.5	11.4	14.6
		Welded	kg	1.7	1.7	2.1	3.5	6.0	7.5	11.4	14.6
900LB	L	mm	111	111	111	120	152	172	220		
	H(CLOSE)	mm	185	185	185	220	220	270	280		
	W	mm	125	125	125	160	160	180	200		
	Weight	Bolted	kg	2.2	3.7	3.6	6.8	7.6	11.6	15.0	
		Welded	kg	2.0	3.4	3.3	6.0	5.6	10.3	14.2	
1500LB	L	mm	111	111	111	120	152	172	220		
	H(OPEN)	mm	171	2.7	207	240	258	330	355		
	W	mm	125	125	125	160	160	180	200		
	Weight	Bolted	kg	2.2	3.7	3.6	6.8	7.6	11.6	15.0	
		Welded	kg	2.0	3.4	3.3	6.0	5.6	10.3	14.2	

# PRESSURE-SEAL GLOBE VALVE

900LB 1500LB 2500LB  
SW Ends



### Standard material specifications

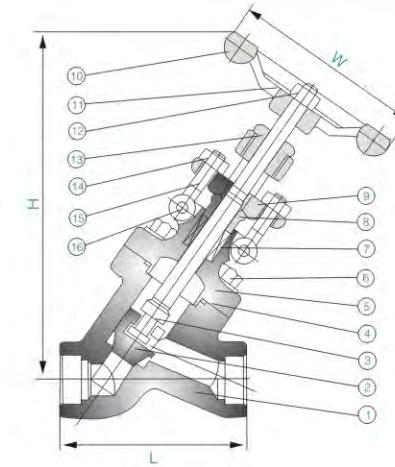
No.	Part Name	CS to ASTM	AS to ASTM	SS to ASTM	
		Type A105N	Type F22	Type F304(L)	Type F316(L)
1	Body	A105N+STL.6	A182 F22+STL.6	A182 F304(L)+STL.6	A182 F316(L)+STL.6
2	Disc	A182 F6a	A182 F304	A182 304(L)	A182 316(L)
3	Stem	A182 F6a	A182 F304	A182 F304(L)	A182 F316(L)
4	Pressure Seat	A105N	A182 F304	A182 F304(L)	A182 F316(L)
5	Pressure Ring	A182 F304L	A182 F304L	A182 F304L	A182 F316(L)
6	Bonnet	A105N	A182 F22	A182 F304(L)	A276 F316(L)
7	Pin	A276 420	A276 420	A276 420	A276 420
8	P.S. Washer	A105N	A182 F22	A182 F304(L)	A182 F316(L)
9	P.S. Lock Nut	A105N	F22	F304	F316
10	Stem Packing	Flexible Graphite	Flexible Graphite	Flexible Graphite	Flexible Graphite
11	Gland	A276 420	A276 420	A182 F304	A182 F304
12	Gland Flange	A105N	A105N	F304	F304
13	Gland Eyebolt	A193 B7	A193 B16	A193 B8	A193 B8M
14	Gland Nut	A194 2H	A194 4	A194 8	A194 8M
15	Yoke Nut	A276 410	A276 410	A276 410	A276 410
16	Handwheel	60-40-18	60-40-18	60-40-18	60-40-18
17	Nameplate	SS304	SS304	SS304	SS304
18	Gland Nut	A194 2H	A194 4	A194 8	A194 8M

### Dimension and Weight

NPS	L	mm	1/2"	3/4"	1"	1 1/4"	1 1/2"	2"
			900LB	H(Close)	mm	300	300	380
	W	mm	160	160	180	200	250	280
	Weight	kg	11.2	10.5	10.1	21.0	19.6	40.4
1500LB	L	mm	120	120	140	178	178	216
	H(Close)	mm	300	300	380	415	415	435
	W	mm	160	160	180	200	250	280
	Weight	kg	11.2	10.5	10.1	21.0	19.6	40.4
2500LB	L	mm	140	140	186	232	232	279
	H(Close)	mm	385	385	415	415	435	480
	W	mm	160	180	200	250	250	300
	Weight	kg	12.3	11.6	10.8	28.0	26.4	43.8

# Y-PATTERN GLOBE VALVE

800LB  
SW Ends



### Standard material specifications

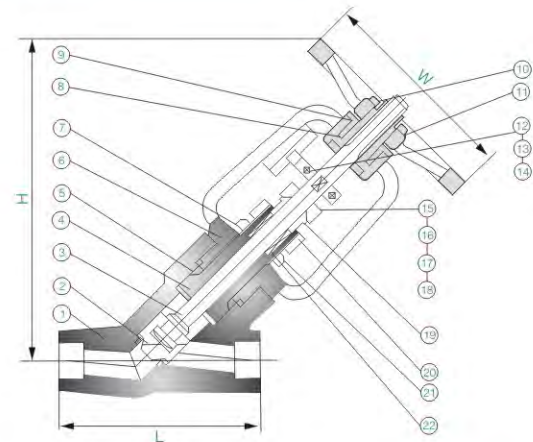
No.	Part Name	CS to ASTM	AS to ASTM	SS to ASTM	
		Type A105N	Type F22	Type F304(L)	Type F316(L)
1	Body	A105N+STL.6	A182 F22+STL.6	A182 F304(L)+STL.6	A182 F316(L)+STL.6
2	Disc	A182 F6a	A182 F304	A182 304(L)	A182 316(L)
3	Stem	A182 F6a	A182 F304	A182 F304(L)	A182 F316(L)
4	Gasket	SPW.SS304+Graphite	SPW.SS304+Graphite	SPW.SS304+Graphite	SPW.SS316+Graphite
5	Bonnet	A105N	A276 304	A182 F304(L)	A276 F316(L)
6	Bonnet Bolt	A193 B7	A193 B16	A193 B8	A193 B8M
7	Stem Packing	Flexible Graphite	Flexible Graphite	PTFE	PTFE
8	Gland	A276 410	A276 410	A182 F304(L)	A182 F304(L)
9	Gland Flange	A105N	A105N	F304	F304
10	Handwheel	60-40-18	60-40-18	60-40-18	60-40-18
11	Nameplate	SS304	SS304	SS304	SS304
12	H.W. Nut	A194 2H	A194 4	A194 8	A194 8M
13	Yoke Nut	A276 410	A276 410	A276 410	A276 410
14	Gland Nut	A194 2H	A194 4	A194 8	A194 8M
15	Gland Eyebolt	A193 B7	A193 B16	A193 B8	A193 B8M
16	Pin	F304	F304	A276 304	A182 F304

### Dimension and Weight

NPS	L	mm	1/2	3/4	1	1 1/4	1 1/2	2
			800LB	H(OPEN)	mm	215	215	245
	W	mm	100	100	190	190	180	200
	Weight	kg	5	6.3	7.6	9.8	13.8	14.0

# Y-PATTERN GLOBE VALVE

900LB 1500LB 2500LB  
SW Ends



### Standard material specifications

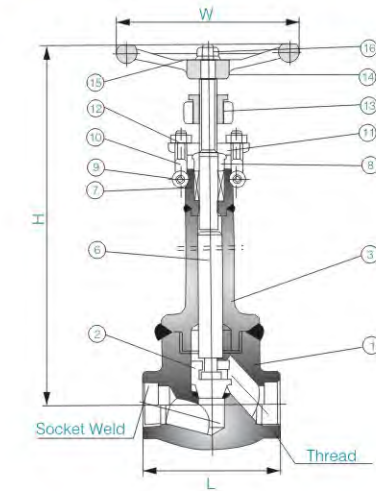
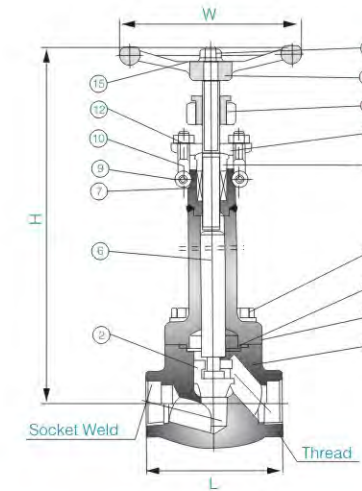
No.	part name	CS to ASTM	AS to ASTM	SS to ASTM	
		Type A105N	Type F22	Type F304(L)	Type F316(L)
1	Body	A105N+STL.6	A182 F22+STL.6	A182 F304(L)+STL.6	A182 F316(L)+STL.6
2	Disc	A182 410	A182 F304	A182 304(L)	A182 316(L)
3	Stem	A182 F6a	A182 F6a	A182 F304(L)	A182 F316(L)
4	Pressure Seat	A105N	A182 F304	A182 F304(L)	A182 F316(L)
5	Pressure Ring	A276 410	A182 F304	A182 F304(L)	A182 F316(L)
6	Bonnet	A105N	A182 F22	A182 F304(L)	A182 F316(L)
7	P.S. Washer	A105N	A182 F22	A182 F304(L)	A182 F316(L)
8	Yoke Nut	A276 410	A276 410	A276 410	A276 410
9	Retaining Nut	A194 2H	A194 4	A194 8	A194 8M
10	H.W.Lock Nut	A194 2H	A194 4	A194 8	A194 8M
11	Handwheel	60-40-18	60-40-18	60-40-18	60-40-18
12	Wafer Board	A105N	A182 F22	A182 F304(L)	A182 F316(L)
13	Bolt	A193 B7	A193 B16	A193 B8	A193 B8M
14	Nut	N194 2H	A194 4	A194 8	A194 8M
15	Gland Flange	A105N	A105N	F304	F304
16	Gland Eyebolt	A193 B7	A193 B16	A193 B8	A193 B8M
17	Gland Nut	A194 2H	A194 4	A194 8	A194 8M
18	Pin	F304	F304	A182 304	A182 F304
19	Gland	A276 420	F304	A182 304	A182 F316
20	Bearing Ear	A105N	A182 F22	A182 F304(L)	A182 F316(L)
21	P.S. Lock Nut	A194 2H	A194 4	A194 8	A194 8M
22	Stem Packing	Flexible Graphite	Flexible Graphite	PTFE	PTFE

### Dimension and Weight

NPS			1/2	3/4	1	1 1/4	1 1/2	2
			900LB	L	mm	120	120	120
	H(OPEN)	mm	333	333	333	406	406	524
	W	mm	125	125	160	160	180	200
	Weight	kg	11.2	10.5	10.1	21.0	19.6	40.4
1500LB	L	mm	120	120	120	140	170	216
	H(OPEN)	mm	333	333	333	406	406	524
	W	mm	125	125	160	160	180	200
	Weight	kg	11.2	10.5	10.1	21.0	19.6	40.4
2500LB	L	mm	186	186	186	232	232	279
	H(OPEN)	mm	333	333	333	406	406	524
	W	mm	125	125	160	160	180	200
	Weight	kg	12.3	11.6	10.8	28.0	26.4	43.8

# LOW TEMPERATURE / CRYOGENIC GLOBE VALVE

800LB  
SW/NPT Ends



### Standard material specifications

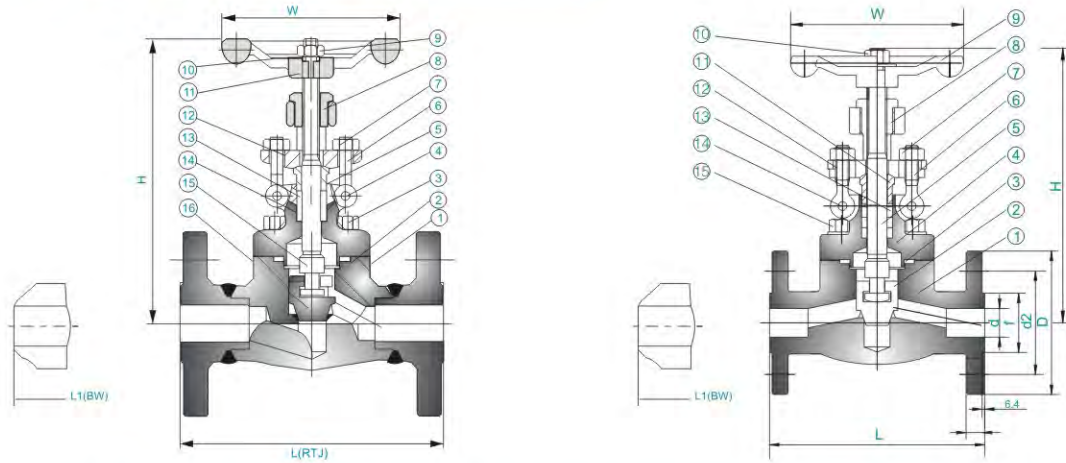
No.	Part Name	AS to ASTM		SS to ASTM	
		Type A350 LF2	Type F22	Type F304(L)	Type F316(L)
1	Body	A350 LF2+STL.6	A350 LF3+STL.6	A182 F304(L)+STL.6	A182 F316(L)+STL.6
2	Disc	A182 F6a	A182 304(L)	A182 304(L)	A182 316(L)
3	Bonnet	A350 LF2	A350 LF3	A182 F304(L)	A182 F316(L)
4	Gasket	SPW SS304+Graphite	SPW SS304+Graphite	SPW SS304(L)+Graphite	SPW SS316(L)+Graphite
5	Bolt Nut	A320 L7	A193 B7	A193 B8	A193 B8M
6	Stem	A182 F6	A182 F6	A182 F304(L)	A182 F316(L)
7	Stem Packing	316 Flexible Graphite	316 Flexible Graphite	PTFE	PTFE
8	Gland	A276 420	A276 420	A182 F304	A182 F304
9	Pin	F304	F304	A182 F304	A182 F304
10	Gland Eyebolt	A320 L7	A193 B16	A193 B8	A193 B8M
11	Gland Flange	A105N	A105N	F304	F304
12	Gland Nut	A194 4	A194 4	A194 8	A194 8M
13	Yoke Nut	A276 410	A276 410	A276 410	A276 410
14	Handwheel	60-40-18	60-40-18	60-40-18	60-40-18
15	Nameplate	SS304	SS304	SS304	SS304
16	H.W. Nut	A194 2H	A194 4	A194 8	A194 8M

### Dimension and Weight

NPS			Conv.	1/2"	3/4"	1"	1 1/4"	1 1/2"	2"	/		
			Full	3/8"	1/2"	3/4"	1"	1 1/4"	1 1/2"	2"		
800LB	L	mm		76	76	92	106	120	148	172		
	H(OPEN)	mm		165	165	170	185	220	220	280		
	W	mm		125	125	125	160	160	180	200		
	Weight			Bolted	kg	5.2	7.2	10.9	13.5	15.2	19.8	29.0
				Welded	kg	4.8	6.5	9.5	11.5	13.1	17.5	26.8

# FLANGED END GLOBE VALVE

150LB 300LB 600LB 900LB 1500LB  
RTJ/BW Ends



### Standard material specifications

No.	Part Name	CS to ASTM	AS to ASTM	SS to ASTM	
		Type A105N	Type F22	Type F304(L)	Type F316(L)
1	Body	A105N+STL.6	A182 F22+STL.6	A182 F304(L)+STL.6	A182 F316(L)+STL.6
2	Gasket	SPW.SS304+Graphite	SPW.SS304+Graphite	SPW.SS304+Graphite	SPW.SS316+Graphite
3	Bonnet Bolt	A193 B7	A193 B16	A193 B8	A193 B8M
4	Pin	F304	F304	A276 F304	A276 F304
5	Gland	A276 410	A276 410	A182 F304(L)	A182 F316(L)
6	Gland Eyebolt	A193 B7	A193 B16	A193 B8	A193 B8M
7	Gland Nut	A194 2H	A194 4	A194 8	A194 8M
8	Yoke Nut	A276 410	A276 410	A276 410	A276 410
9	H.W. Nut	A194 2H	A194 4	A194 8	A194 8M
10	Nameplate	SS304	SS304	SS304	SS304
11	Handwheel	60-40-18	60-40-18	60-40-18	60-40-18
12	Gland Flange	A105N	A105N	F304	F304
13	Stem Packing	Flexible Graphite	Flexible Graphite	PTFE	PTFE
14	Bonnet	A105N	A276 304	A182 F304(L)	A182 F316(L)
15	Stem	A182 F6	A182 F304	A182 F304(L)	A182 F316(L)
16	Disc	A276 420	A276 304	A276 304(L)	A276 316(L)

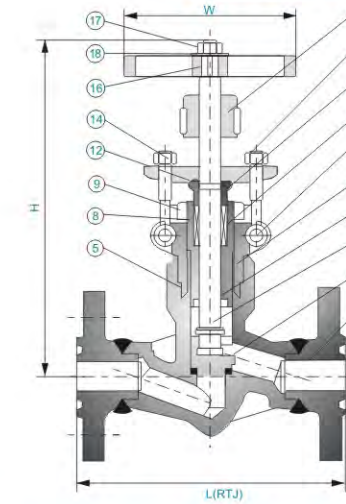
### Dimension and Weight

NPS		mm	1/2	3/4	1	1 1/4	1 1/2	2
			150LB	L(RF)	108	117	127	140
	L1(BW)	108	117	127	140	165	203	
	H(OPEN)	166	171	207	240	258	330	
	W	100	100	125	160	160	180	
Weight	RF	kg	4.5	6.9	9.8	13.5	19.5	28.0
	BW	kg	2.3	3.6	7.8	8.2	12.0	15.0
300LB	L(RF)	152	178	203	216	229	267	
	L1(BW)	152	178	203	216	229	267	
	H(OPEN)	166	171	207	240	258	330	
	W	100	100	125	160	160	180	
Weight	RF	kg	4.8	7.7	11.0	16.8	21.2	32.6
	BW	kg	2.8	4.0	8.5	9.2	12.6	16.8
600LB	L(RF)	165	190	216	229	241	292	
	L1(BW)	165	190	216	229	241	292	
	H(OPEN)	171	207	240	258	330	380	
	W	100	100	125	160	160	180	
Weight	RF	kg	5.6	7.8	12.5	17.0	23.5	38.8
	BW	kg	3.4	4.7	9.2	10.5	13.3	18.9

NPS		mm	1/2	3/4	1	1 1/4	1 1/2	2
			900LB	L(RTJ)	216	229	254	279
	L1(BW)	216	229	254	279	305	368	
	H(OPEN)	207	207	240	258	330	355	
	W	125	125	160	160	180	200	
Weight	RTJ	kg	8.0	13.2	17.4	19.0	24.5	31.0
	BW	kg	5.2	10.0	14.6	15.8	20.5	27.8
1500LB	L(RTJ)	216	229	254	279	305	371	
	L1(BW)	216	229	254	279	305	368	
	H(OPEN)	207	207	240	258	330	355	
	W	125	125	160	160	180	200	
Weight	RTJ	kg	8.0	13.2	17.4	19.0	24.5	31.0
	BW	kg	5.2	10.0	14.6	15.8	20.5	27.8

# PRESSURE-SEAL GLOBE VALVE

800LB  
RTJ Ends



### Standard material specifications

No.	Part Name	CS to ASTM	AS to ASTM	SS to ASTM	
		Type A105N	Type F22	Type F304(L)	Type F316(L)
1	Body	A105N+STL.6	A182 F22+STL.6	A182 F304(L)+STL.6	A182 F316(L)+STL.6
2	Disc	A182 F6a	A182 304	A182 304(L)	A182 316(L)
3	Stem	A182 F6a	A182 F304	A182 F304(L)	A182 F316(L)
4	Pressure Seat	F6a	A182 F304	A182 F304(L)	A182 F316(L)
5	Pressure Ring	A182 F304(L)	A182 F304(L)	A182 F304(L)	F316L
6	Bonnet	A105N	A182 F22	A182 F304(L)	A182 F316(L)
7	Pin	F304	F304	A276 304	A276 304
7	P.S. Washer	A105N	A182 F22	A182 F304(L)	A182 F316(L)
10	P.S.Lock Nut	A194 2H	A194 4	A194 8	A194 8M
9	Stem Packing	Flexible Graphite	Flexible Graphite	Flexible Graphite	Flexible Graphite
11	Gland	A276 420	A276 420	A182 F304	A182 F304
12	Gland Flange	A105N	A105N	F304	F304
8	Gland Eyebolt	A193 B7	A193 B16	A193 B8	A193 B8M
7	Gland Nut	A194 2H	A194 4	A194 8	A194 8M
14	Yoke Nut	A276 410	A276 410	A276 410	A276 410
16	Handwheel	60-40-18	60-40-18	60-40-18	60-40-18
11	Nameplate	SS304	SS304	SS304	SS304
12	H.W. Nut	A194 2H	A194 4	A194 8	A194 8M

### Dimension and Weight

NPS		mm	1/2"	3/4"	1"	1 1/4"	1 1/2"	2"
			900LB	L	216	229	254	279
	H(OPEN)	318	318	318	398	408	524	
	W	160	160	180	200	250	280	
Weight		kg	15.5	16.9	18.9	28.9	34.3	52.8
	1500LB	L	216	229	254	279	305	371
	H(OPEN)	318	318	318	398	408	524	
	W	160	160	180	200	250	280	
Weight		kg	15.5	16.9	18.9	28.9	34.3	52.8
	2500LB	L	264	273	308	349	384	454
	H(OPEN)	333	333	333	410	420	524	
	W	160	160	180	200	250	280	
Weight		kg	18.0	20.5	23.0	36.1	45.0	81.5

**YDF** Forged steel Check valve are available in three bonnet designs.

1. The bolted bonnet, with male–female joint, spiral wound gasket, made in SS/Graphite. Ring joint gasket are also available on request;
2. The welded bonnet with a threaded and seal welded joint. On request a full penetration strength welded joint is available;
3. The pressure seal bonnet , with a threaded and pressure seal bonnet joint.

Check valve is divided to swing check valve and piston check valve and Y Pattern check valve is available.

## FORGED STEEL CHECK VALVES



Bolted Bonnet

Welded Bonnet

Pressure Seal Bonnet

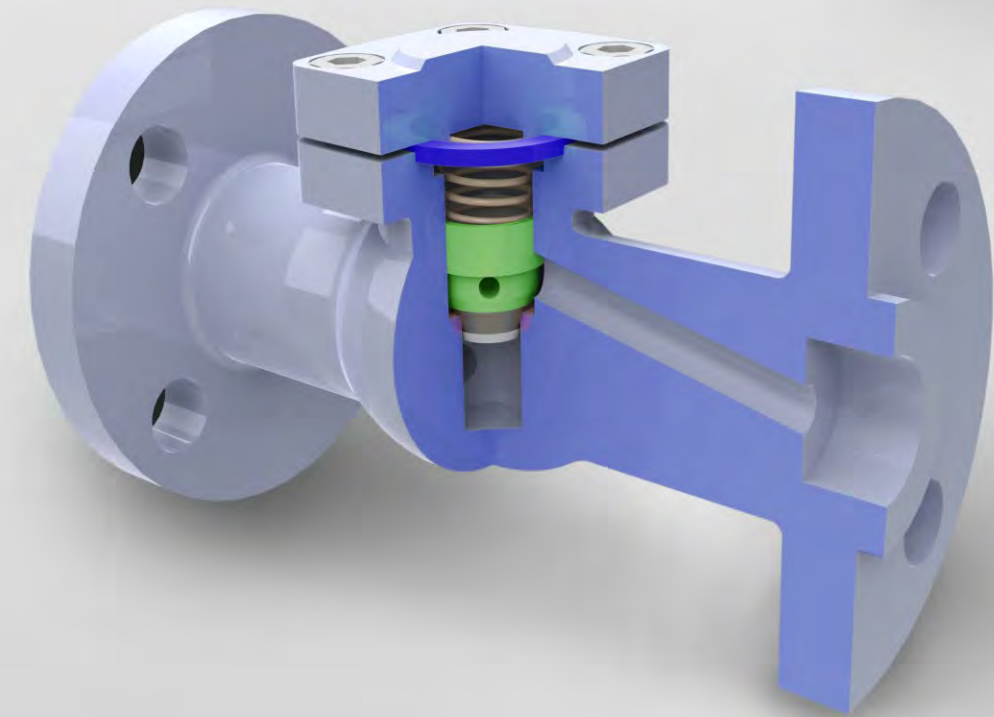
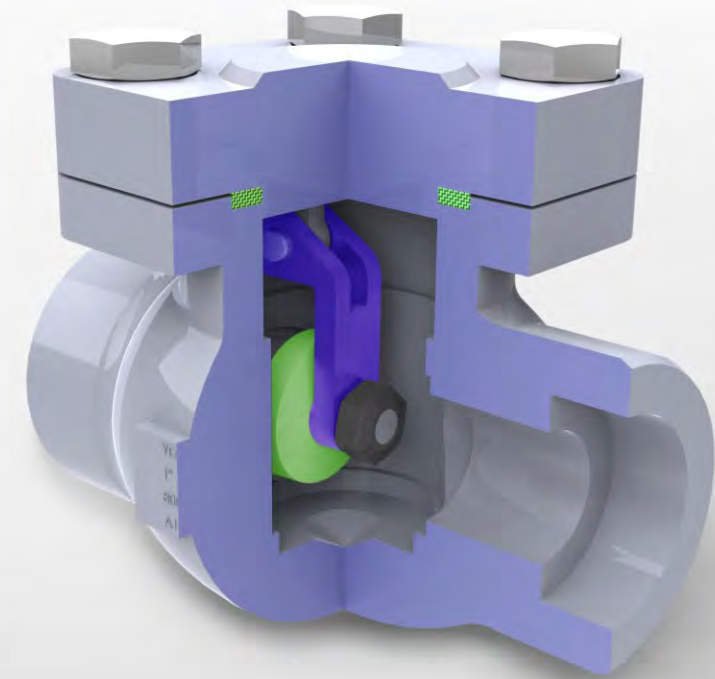
### Design Feature:

- Full port or Reduced port.
- Bolted cover/Welded cover/Pressure seal cover.
- The disc an transfer valve to be throttle, needle type.
- Socket welded (SW) ends to ASME B16.11.
- Screwed ends (NPT) to ANSI/ASME B1.20.1.
- Flanges (RF/RTJ) according to AMSI B16.5.
- Integral flange or welded flange.
- BW ends to ASME B16.25.
- RTJ Ring body bonnet gasket ring joint type.



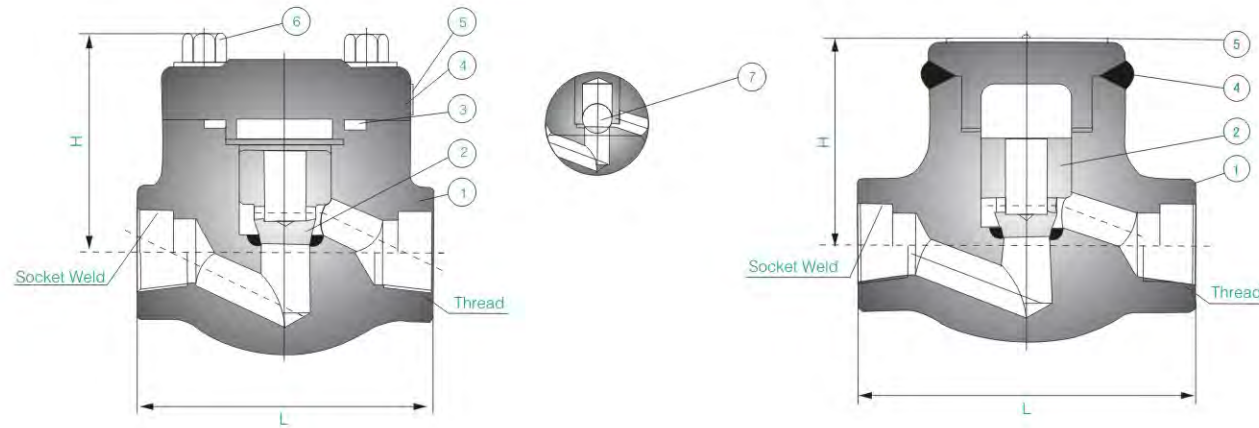
### Design construction and specifications

YDF check valve conform to API602, ISO17292 and ASME B16.34.  
Testing according to API598.  
Marking is per MSS SP-25.



# PISTON CHECK VALVE

800LB 900LB 1500LB  
SW/NPT Ends



### Standard material specifications

No.	Part Name	CS to ASTM	AS to ASTM	SS to ASTM	
		Type A105N	Type F22	Type F304(L)	Type F316(L)
1	Body	A105N+STL.6/cr13	A182 F22	A182 F304(L)	A182 F316(L)
2	Piston Disc	A182 F6a	A182 F304	A182 304(L)	A182 316(L)
3	Gasket	SPW SS304+Graphite	SPW SS304+Graphite	SPW SS304(L)+Graphite	SPW SS316(L)+Graphite
4	Bonnet	A105N	A182 F22	A182 F304(L)	A276 F316(L)
5	Nameplate	SS304	SS304	SS304	SS304
6	Bolt	A193 B7	F193 B16	A193 B8(M)	A193 B8(M)
7	Ball	SS304	SS304	SS304	SS316

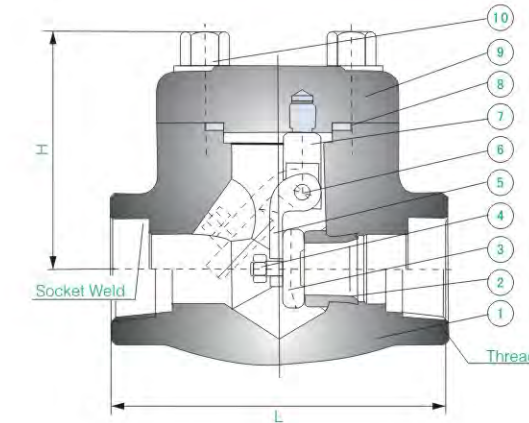
Note: Standard design without spring loaded, if need, please specify in the PO.

### Dimension and Weight

NPS		Conv.	3/8"	1/2"	3/4"	1"	1 1/4"	1 1/2"	2"	2 1/2"	
			Full	/	3/8"	1/2"	3/4"	1"	1 1/4"	1 1/2"	2"
800LB	L	mm	76	76	92	106	120	148	172	220	
	H	mm	50	50	60	70	80	85	100	120	
	Weight	Bolted	kg	1.4	1.2	1.5	3.1	3.9	5.6	8.9	12.5
		Welded	kg	1.1	1.0	1.2	2.9	3.3	4.9	8.1	10.9
900LB	L	mm	111	111	111	120	152	172	220		
	H	mm	75	75	75	100	110	120	140		
	Weight	Bolted	kg	1.6	3.4	3.3	5.5	6.0	9.2	12.9	
		Welded	kg	1.3	3.2	3.1	4.8	5.4	8.5	11.2	
1500LB	L	mm	111	111	111	120	152	172	220		
	H	mm	75	75	75	100	110	120	140		
	Weight	Bolted	kg	1.6	3.4	3.3	5.5	6.0	9.2	12.9	
		Welded	kg	1.3	3.2	3.1	4.8	5.4	8.5	11.2	

# SWING CHECK VALVE

800LB 900LB 1500LB  
SW/NPT Ends



### Standard material specifications

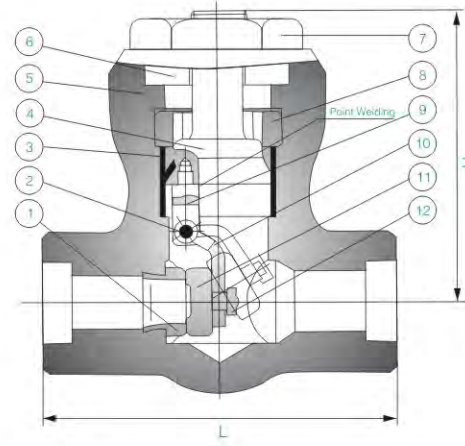
No.	Part Name	CS to ASTM	AS to ASTM	SS to ASTM	
		Type A105N	Type F22	Type F304(L)	Type F316(L)
1	Body	A105N	A182 F22	A182 F304(L)	A182 F316(L)
2	Seat	A182 F6a+STL.6	A182 304	A182 304(L)	A182 316(L)
3	Swing Disc	A182 F6a	A182 F304	A182 304(L)	A182 316(L)
4	Nut	A194 2H	A194 4	A194 8	A194 8M
5	Hinge	A276 410	A182 F304	A182 F304 L	A182 F306(L)
6	Pin	A182 F304	A182 F304	A182 F304	A182 F316
7	Ponlevis	A276 410	A182 F304	A182 F304L	A182 F316(L)
8	Gasket	SPW SS304+Graphite	SPW SS304+Graphite	SPW SS304(L)+Graphite	SPW SS316(L)+Graphite
9	Bonnet	A105N	A182 F22	A182 F304(L)	A182 F316(L)
10	Bolt	A193 B7	A193 B16	A193 B8M	A193 B8M

### Dimension and Weight

NPS			3/8"	1/2"	3/4"	1"	1 1/4"	1 1/2"	2"
800LB	L	mm	79	79	92	106	120	114	144
	H	mm	60	60	65	75	90	95	115
	Weight	kg	1.1	1.0	1.9	3.9	4.5	120	133
900LB	L	mm	111	111	111	120	120	140	170
	H	mm	75	75	80	90	110	120	135
	Weight	kg	3.1	3.0	3.6	4.3	6.1	8.8	12.6
1500LB	L	mm	111	111	111	120	120	140	170
	H	mm	75	75	80	90	110	120	135
	Weight	kg	3.1	3.0	3.6	4.3	6.1	8.8	12.6

# PRESSURE-SEAL SWING CHECK VALVE

900LB 1500LB 2500LB  
SW/NPT Ends



### Standard material specifications

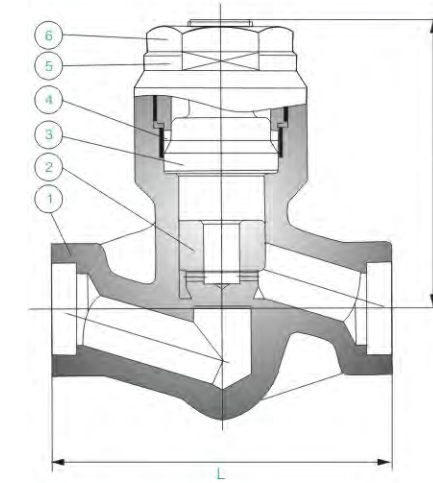
No.	Part Name	CS to ASTM	AS to ASTM	SS to ASTM	SS to ASTM
		Type A105N	Type F22	Type F304(L)	Type F316(L)
1	Seat	A276 410 F6a+STL.6	A276 304	A276 304(L)	A276 316(L)
2	Pin	A182 F304	A182 F304	A182 F304	A182 F304
3	Pressure Ring	F6a	A276 304	F304	A276 F316L
4	Pressure Seat	A105N	A184 F304	A182 F304(L)	A182 F316(L)
5	Body	A105N	A182 F22	A182 F304(L)	A182 F316(L)
6	Bonnet	A105N	A182 F22	A182 F304	A182 F316(L)
7	Bolt	A105N	F22	F304	A182 F316
8	Quarter Ring	A276 420	A182 F304	A182 F304	A182 F316
9	Ponlevis	A276 410	A182 F304	A182 F304L	A182 F316(L)
10	Hinge	A276 410	A182 F304	A182 F304 L	A182 F306(L)
11	Piston Disc	A276 420	F304	A182 304(L)	F316(L)
12	Nut	A194 2H	A194 4	A194 8	A194 8M

### Dimension and Weight

NPS			1/2"	3/4"	1"	1 1/4"	1 1/2"	2"
900LB	L	mm	120	120	140	178	178	216
	H	mm	135	135	150	170	170	190
	Weight	kg	8.0	7.8	7.7	19.8	19.2	21.3
1500LB	L	mm	120	120	140	178	178	216
	H	mm	135	135	150	170	170	190
	Weight	kg	8.0	7.8	7.7	19.8	19.2	21.3
2500LB	L	mm	140	140	186	232	232	279
	H	mm	150	150	170	180	190	215
	Weight	kg	10.0	9.6	9.4	21.5	21.1	22.8

# PRESSURE-SEAL PISTON CHECK VALVE

900LB 1500LB 2500LB  
SW/NPT Ends



### Standard material specifications

No.	Part Name	CS to ASTM	AS to ASTM	SS to ASTM	SS to ASTM
		Type A105N	Type F22	Type F304(L)	Type F316(L)
1	Body	A105N+STL.6	A182 F22+STL.6	A182 F304(L)+STL.6	A182 F316(L)+STL.6
2	Piston Disc	A182 F6a	A182 304	A182 304(L)	A182 316(L)
3	Sealing Seat	A105N	F22	A276 304(L)	F316(L)
4	Pressure Ring	A276 420	A276 420	A276 304(L)	A276 F316L
5	Retainion Nut	A105N	F22	A182 F304	A182 F316
6	P.S.Lock Nut	A105N	F22	A182 F304	A182 F304

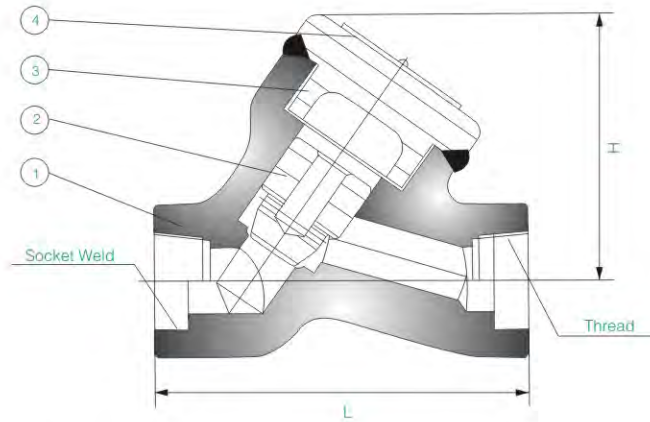
Note: Standard design without spring loaded, if need, please specify in the PO.

### Dimension and Weight

NPS			1/2"	3/4"	1"	1 1/4"	1 1/2"	2"
900LB	L	mm	120	120	140	178	178	216
	H	mm	135	135	150	170	170	190
	Weight	kg	7.5	7.0	6.8	18.5	18.1	20.3
1500LB	L	mm	120	120	140	178	178	216
	H	mm	135	135	150	170	170	190
	Weight	kg	7.5	7.0	6.8	18.5	18.1	20.3
2500LB	L	mm	140	140	186	232	232	279
	H	mm	150	150	170	180	190	215
	Weight	kg	9.0	7.6	8.4	19.5	20.1	21.8

# Y-PATTERN PISTON CHECK VALVE

800LB  
SW/NPT Ends



### Standard material specifications

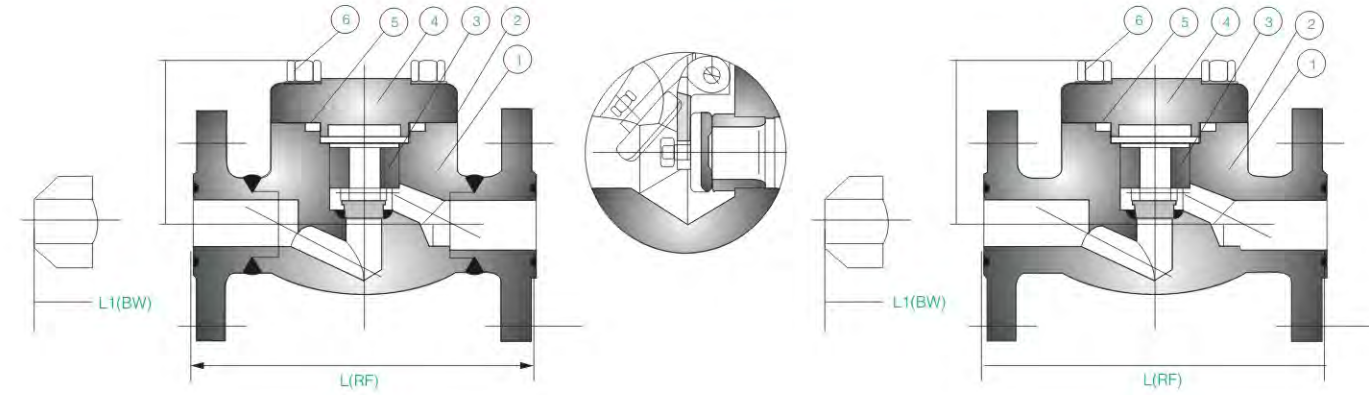
No.	Part Name	CS to ASTM	AS to ASTM	SS to ASTM	
		Type A105N	Type F22	Type F304(L)	Type F316(L)
1	Body	A105N+STL.6	A182 F22+STL.6	A182 F304(L)+STL.6	A182 F316(L)+STL.6
2	Piston Disc	A182 F6a	A182 F304	A182 304(L)	A182 316(L)
3	Bonnet	A105N	A182 F22	A182 F304(L)	A182 F316(L)
4	Nameplate	SS	SS	SS	SS

### Dimension and Weight

NPS	Conv.		3/8"	1/2"	3/4"	1"	1 1/4"	1 1/2"	2"	
	L	H	/	3/8"	1/2"	3/4"	1"	1 1/4"	1 1/2"	
800LB	L	mm	98	98	98	120	120	140	170	
	H	mm	85	85	95	105	115	120	135	
	Weight		kg	3.1	3.0	3.7	6.5	8.5	8.0	10.9

# FLANGED END CHECK VALVE

150LB 300LB 600LB 900LB 1500LB  
RF/RTJ Ends



### Standard material specifications

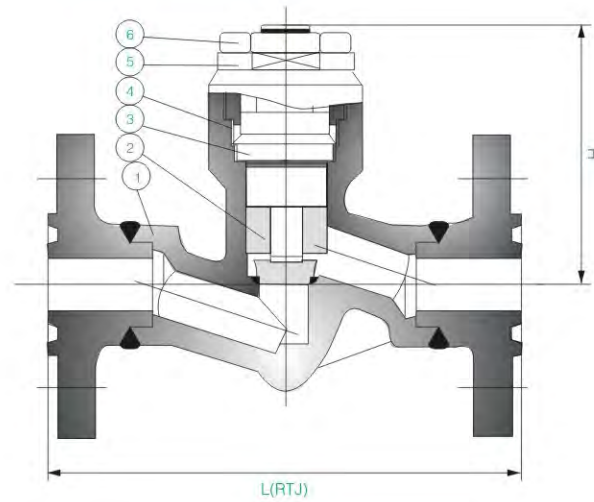
No.	Part Name	CS to ASTM	AS to ASTM	SS to ASTM	
		Type A105N	Type F22	Type F304(L)	Type F316(L)
1	Body	A105N+STL.6	A182 F22+STL.6	A182 F304(L)+STL.6	A182 F316(L)+STL.6
2	Nameplate	SS304	SS304	SS304	SS304
3	Piston Disc	A182 420	A182 F304	A182 304(L)	A182 316(L)
4	Bonnet	A105N	A182 F22	A182 F304(L)	A182 F316(L)
5	Gasket	SPW SS304+Graphite	SPW SS304+Graphite	SPW SS304(L)+Graphite	SPW SS316(L)+Graphite
6	Bolt	A193 B7	A193 B16	A193 B8	A193 B8M

### Dimension and Weights

NPS				1/2	3/4	1	1 1/4	1 1/2	2	
	L	RF	mm							
150LB	L	RF	mm	108	117	127	140	165	203	
	L1	BW	mm	108	117	127	140	165	203	
	H		mm	61	61	79	95	103	118	
	Weight		RF	kg	2.56	3.37	4.37	8.17	8.94	12.64
			BW	kg	1.70	1.90	2.10	5.12	5.50	7.89
	300LB	L	RF	mm	152	178	203	216	229	267
L1		BW	mm	152	178	216	229	241	267	
H		mm	61	61	79	95	103	118		
Weight		RF	kg	2.73	3.65	4.74	8.77	9.60	13.70	
		BW	kg	1.90	2.10	3.00	5.12	6.60	7.85	
600LB		L	RF	mm	165	190	216	229	241	292
	L1	BW	mm	165	190	216	229	241	292	
	H		mm	61	61	79	95	103	118	
	Weight		RF	kg	3.00	4.00	5.83	9.47	10.10	15.60
			BW	kg	2.00	3.12	4.25	7.25	8.56	13.60
	900LB	L	RTJ	mm	216	229	254	279	305	371
L1		BW	mm	216	229	254	279	305	368	
H		mm	79	79	95	104	120	139		
Weight		RTJ	kg	8.5	10.5	15.7	20.8	27.2	33.0	
		BW	kg	6.4	8.0	13.2	17.8	24.2	29.7	
1500LB		L	RTJ	mm	216	229	254	279	305	371
	L1	BW	mm	216	229	254	279	305	368	
	H		mm	79	79	95	104	120	139	
	Weight		RTJ	kg	8.5	10.5	15.7	20.8	27.2	33.0
			BW	kg	6.4	8.0	13.2	17.8	24.2	29.7

# FLANGED END PRESSURE-SEAL PISTON CHECK VALVE

900LB 1500LB 2500LB  
RF/RTJ Ends



## Standard material specifications

No.	Part Name	CS to ASTM	AS to ASTM	SS to ASTM	SS to ASTM
		Type A105N	Type F22	Type F304(L)	Type F316(L)
1	Body	A105N+STL.6	A182 F22+STL.6	A182 F304(L)+STL.6	A182 F316(L)+STL.6
2	Piston Disc	A182 420	A182 F304	A182 304(L)	A182 316(L)
3	Pressure Seat	A105N	F22	A182 F304(L)	F316
4	Pressure Ring	A276 F304L	A276 F304L	A276 F304L	A276 F316L
5	Retaining Nut	A194 2H	A194 4	A194 8	A194 8M
6	P.S.Lock Nut	A194 2H	A194 4	A194 8	A194 8M

Note: Standard design without spring loaded, if need, please specify in the PO.

## Dimension and Weight

NPS			1/2"	3/4"	1"	1 1/4"	1 1/2"	2"	
900LB	L	RTJ	mm	216	229	254	279	305	371
	H		mm	117	117	117	152	152	195
	Weight		kg	10.5	11.9	13.9	19.9	26.9	32.5
1500LB	L	RTJ	mm	216	229	254	279	305	371
	H		mm	117	117	117	152	152	195
	Weight		kg	10.5	11.9	13.9	19.9	26.9	32.5
2500LB	L	RTJ	mm	264	273	308	349	384	454
	H		mm	117	117	117	152	152	195
	Weight		kg	12.6	14.9	16.5	24.8	30.0	35.0

## Product Warranty

Seller will replace without charge or refund the purchase price of products provided by seller which prove to be defective in mater or workmanship, provided in each case that the product is proper installed and is used in the service for which Seller recommends it and that written claim, specifying the alleged defect, is presented to the seller within 18 months from the date of shipment or 12 months after installation, whichever occurs first. Seller shall in no event bear any labor, equipment, engineering or other costs incurred in connection with repair or replacement. The warranty stated in this paragraph is in lieu of all other warranties, either expressed or implied. With respect to warranties, this paragraph states Buyer's exclusive remedy and seller's exclusive liability.

We confirm spare kit availability during warranty period and periods following the warranty duration.