

PS4 BW

RACCORDEMENTS

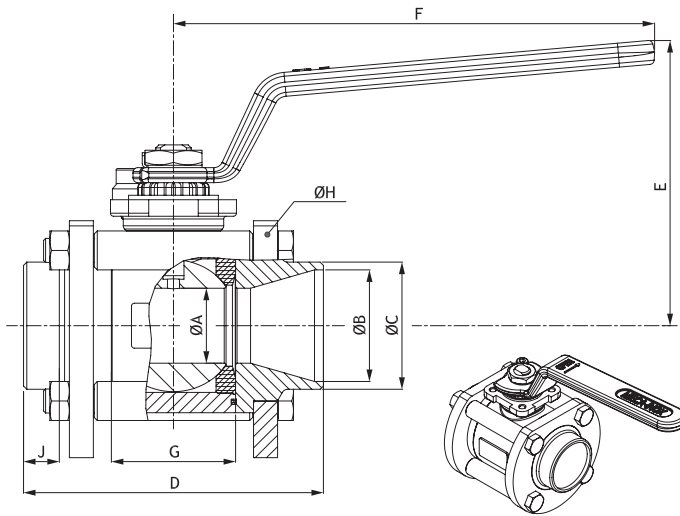
TYPE OF CONNECTIONS

A souder en bout

DN 15 à 65  
Passage réduit  
Tube ISO

Butt Weld

Size 1/2" to 2 1/2"  
Reduced bore  
ISO pipe

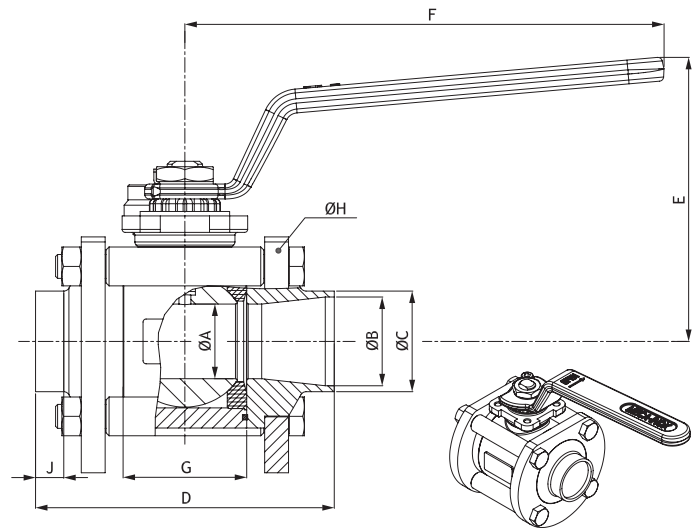


A souder en bout

DN 08 à 50  
Passage intégral  
Tube ISO

Butt Weld

Size 1/4" to 2"  
Full bore  
ISO pipe



DN Size	PN	Ø A	Ø B		Ø C	D	E	F	G	Ø H	J	ISO 5211	Poids (Kg) Weight (Kg)	
			Inox S.Steel	Acier C.Steel										
<b>V • Passage réduit / Reduced bore</b>														
15	1/2"	100	11.1	17.3	15.5	21.3	65	70	120	20.4	56	8.5	F03	0.650
20	3/4"	100	14	22.9	20.5	26.9	70	73	120	24.4	63	8.8	F03	0.800
25	1"	100	19	29.7	27.5	33.7	85	91	160	31.6	80	9.1	F04	1.610
32	1 1/4"	70	25	37.2	34.4	42.4	100	95	160	41.4	88	11.9	F04	2.100
40	1 1/2"	70	32	43.1	40.3	48.3	110	111	190	48.2	104	10.9	F05	3.120
50	2"	50	38	54.5	52.3	60.3	125	116	190	56.2	117	14.1	F05	4.300
65	2 1/2"	50	50	70.3	66.1	76.1	150	137	230	71	148	13.2	F07	8.590
<b>N • Passage intégral / Full bore</b>														
08	1/4"	100	11.1	9.5	8.9	13.5	65	70	120	20.4	56	6.4	F03	0.640
12	3/8"	100	11.1	13.2	12.6	17.2	65	70	120	20.4	56	7.3	F03	0.640
15	1/2"	100	14	17.3	15.5	21.3	70	73	120	24.4	63	7.3	F03	0.800
20	3/4"	100	19	22.9	20.5	26.9	85	91	160	31.6	80	7.2	F04	1.610
25	1"	70	25	29.7	27.3	33.7	100	95	160	41.4	88	9.4	F04	2.080
32	1 1/4"	70	32	37.2	34.4	42.4	110	111	190	48.2	104	9.2	F05	3.310
40	1 1/2"	50	38	43.1	40.3	48.3	125	116	190	56.2	117	10.7	F05	4.270
50	2"	50	50	54.5	52.3	60.3	150	137	230	71	148	8.6	F07	8.690