



Mack Valve

Fone: 00 55 15 3225 44 47/48

CLASS 125/ CLASS 250/  
PN16/PN25/JIS 10K/JIS 16K

Mack Valve *Light*

### Valve Standard :

Comply with ISO 5752/BS 5155/  
BS EN 593/MSS SP-67/API 609

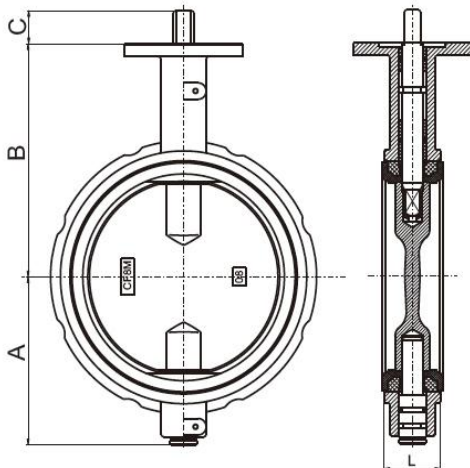


### Pressure Temperature Ratings

Working pressure	16bar/25bar
Testing Pressure	Shell:24bar/37.5bar Seat:17.6bar/27.5bar
Working Temperature	-20°C to 110°C EPDM Seat -10°C to 80°C NBR Seat
Suitable Media	Water,Oil&Gas

### Material Specification

Part	Material	ASTM
Body	Cast Iron	A126 Class B
	Ductile Iron	A536 65-45-12
	Ductile Iron	A536 65-45-12
Disc	Bronze	B148 C95400
	Stainless Steel 304	A351 CF-8
	Stainless steel 316	A351 CF-8M
	Stainless steel 316	A276 S 316 00
Shaft	Stainless Steel 410	A276 S 410 00
	Stainless Steel 431	A276 S 431 00
	EPDM / NBR / VITON / PTFE	
Seat Ring	EPDM / NBR / VITON / PTFE	
Taper Pins	Stainless Steel 304	A276 S 304 00
	Stainless Steel 316	A276 S 316 00
	Stainless Steel 410	A276 S 410 00
Key	Carbon Steel	
O-Ring	EPDM / NBR	
Bushing	PTFE	
	Bronze	B62 C83600



### Dimensions

DN	mm	50	65	80	100	125	150	200	250	300
	inch	2	2-1/2	3	4	5	6	8	10	12
A		69	80	87.3	105.6	117	129.5	164	193.8	235
B		100	116.7	125	152.4	155.6	169.8	239.7	285	300
C		30	30	30	30	30	30	34	34	34
L		42	44.5	44.5	51	54.5	54.5	59.6	67	75.5