



KITZ Corporation Of America
800-772-0073 • www.KITZ.com

THREADED STAINLESS STEEL BALL VALVE
One Piece/End Entry • Reduced Port • Stainless Steel Trim • Hypatite Seats
Integral Mounting Pad (except 1/4" and 3/8") • Locking Lever Handle
Firesafe in Accordance with API 607
2000 WOG (1/4"-1") and 1500 WOG (1-1/4"-2")

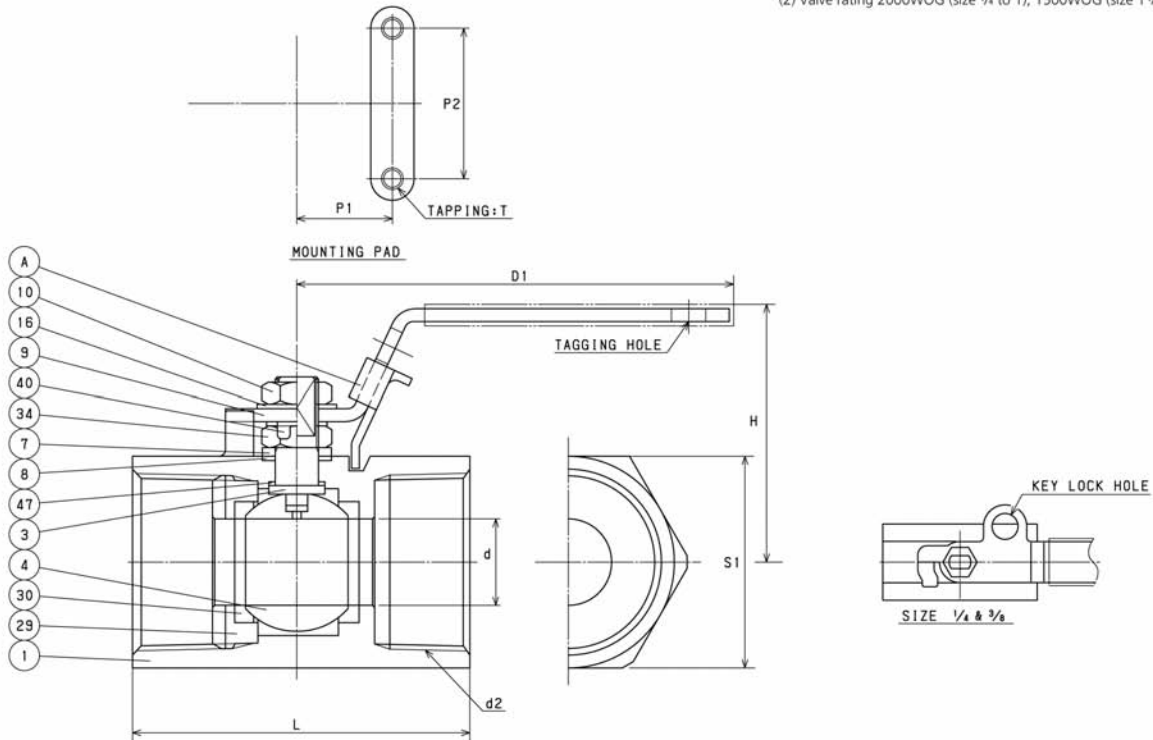
**AKUTKZM-FS
CODE NO. 129-LOH**

MATERIAL LIST

No.	Name of Parts	Materials
1	BODY	A351 Gr. CF8M
3	STEM	A276 TYPE 316
4	BALL	A276 TYPE 316
7	GLAND	A276 TYPE 304
8	GLAND PACKING	FLEXIBLE GRAPHITE
9	HANDLE	A276 TYPE 430 (1)
10	NUT	A194 Gr. 8
16	WASHER	A276 TYPE 304 (SIZE 1/4, 3/8, 1 & OVER)
29	INSERT	A276 TYPE 316 or A351 Gr. CF8M
30	BALL SEAT	HYPATITE PTFE
34	NUT	A194 Gr. 8 (SIZE 1/2 & OVER)
47	THRUST WASHER	C/F PTFE
A	LATCH LOCK	A276 TYPE 430 (SIZE 1/2 & OVER)

NOTE

- (1) Plastic covering.
- (2) Valve rating 2000WOG (size 1/4 to 1), 1500WOG (size 1 1/4 to 2).



DIMENSIONS

Unit : inch

Nominal Size	d	H	D1	L	d2	S1	P1	P2	T
1/4	0.18	1.12	2.80	1.97	NPT 1/4	0.72	-	-	-
3/8	0.27	1.16	3.23	2.05	NPT 3/8	0.87	-	-	-
1/2	0.36	1.93	3.54	2.56	NPT 1/2	1.10	0.5	1.12	No.10-24UNC
3/4	0.49	2.05	3.54	2.76	NPT 3/4	1.34	0.57	1.37	No.10-24UNC
1	0.63	2.15	4.33	3.15	NPT 1	1.57	0.87	1.37	No.10-24UNC
1 1/4	0.79	2.34	4.33	3.74	NPT 1 1/4	1.97	1	1.5	1/4-20UNC
1 1/2	0.96	2.68	5.51	3.94	NPT 1 1/2	2.24	1	1.5	1/4-20UNC
2	1.26	2.89	5.51	4.49	NPT 2	2.72	1	1.5	1/4-20UNC



KITZ Corporation Of America
800-772-0073 • www.KITZ.com

THREADED STAINLESS STEEL BALL VALVE
One Piece/End Entry • Reduced Port • Stainless Steel Trim • Hypatite Seats
Integral Mounting Pad (except 1/4" and 3/8") • Locking Oval Handle
Firesafe in Accordance with API 607
2000 WOG (1/4"-1") and 1500 WOG (1-1/4"-2")

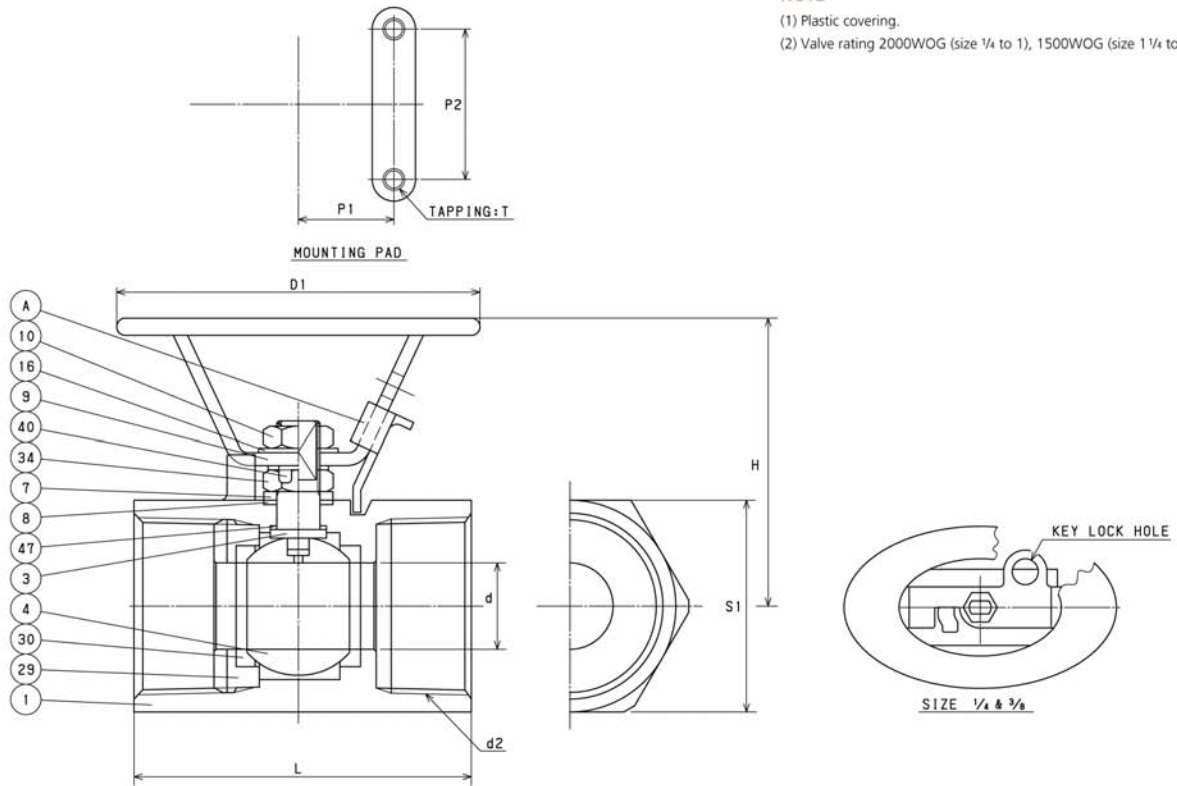
**AKUTKZM-FSO
CODE NO. 129-LOH**

MATERIAL LIST

No.	Name of Parts	Materials
1	BODY	A351 Gr. CF8M
3	STEM	A276 TYPE 316
4	BALL	A276 TYPE 316
7	GLAND	A276 TYPE 304
8	GLAND PACKING	FLEXIBLE GRAPHITE
9	HANDLE	A276 TYPE 430 (1)
10	NUT	A194 Gr. 8
16	WASHER	A276 TYPE 304 (SIZE 1/4, 3/8, 1 & OVER)
29	INSERT	A276 TYPE 316 or A351 Gr. CF8M
30	BALL SEAT	HYPATITE PTFE
34	NUT	A194 Gr. 8 (SIZE 1/2 & OVER)
47	THRUST WASHER	C/F PTFE
A	LATCH LOCK	A276 TYPE 430 (SIZE 1/2 & OVER)

NOTE

- (1) Plastic covering.
- (2) Valve rating 2000WOG (size 1/4 to 1), 1500WOG (size 1 1/4 to 2).



DIMENSIONS

Unit : inch

Nominal Size	d	H	D1	L	d2	S1	P1	P2	T
1/4	0.18	1.71	3.94	1.97	NPT 1/4	0.72	-	-	-
3/8	0.27	1.87	3.94	2.05	NPT 3/8	0.87	-	-	-
1/2	0.36	2.13	3.94	2.56	NPT 1/2	1.10	0.5	1.12	No.10-24UNC
3/4	0.49	2.24	3.94	2.76	NPT 3/4	1.34	0.57	1.37	No.10-24UNC
1	0.63	2.38	3.94	3.15	NPT 1	1.57	0.87	1.37	No.10-24UNC
1 1/4	0.79	2.58	3.94	3.74	NPT 1 1/4	1.97	1	1.5	1/4-20UNC
1 1/2	0.96	3.07	5.12	3.94	NPT 1 1/2	2.24	1	1.5	1/4-20UNC
2	1.26	3.29	5.12	4.49	NPT 2	2.72	1	1.5	1/4-20UNC