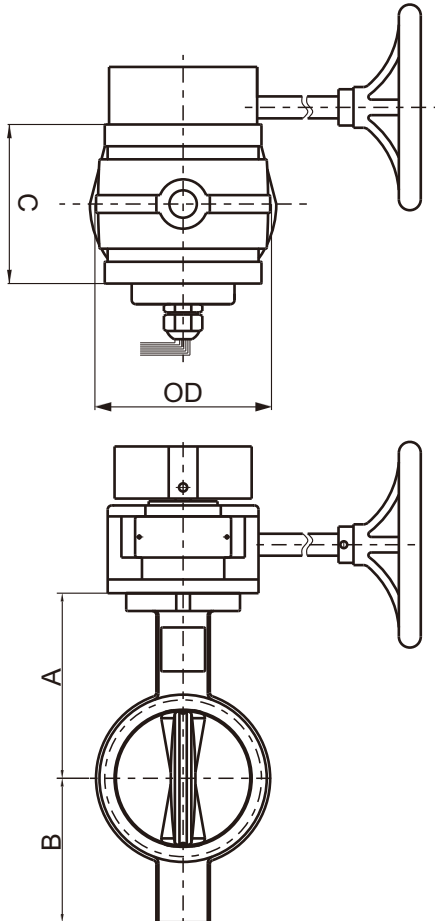
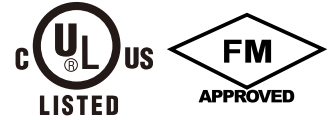


Butterfly Valve

Resilient Seated Grooved Ends

Fig. 20GG-300



Working pressure
300PSI

Flanged Ends
AWWA C606

Materials List

Component	Material	Specification
Body	Ductile Iron	A536 65-45-12 Polyimide Coated
Disc	Ductile Iron EPDM Coated	
Upper&Lower Stems	Stainless Steel	AISI 410
Worm Gear Shaft	Stainless Steel	AISI 410
Housing	Cast Iron	A126 B
Hand Wheel	Cast Iron	A126 B
Flag indicator	Cast Iron	A126 B
Segment Gear	Bronze	ASTM B62
Housing Gasket	EPDM Grade"E"	
O-Rings(All)	EPDM Grade"E"	

Dimensions(mm/inch)

SIZE	mm	65	80	100	125	150	200	250
	inch		2 ¹ / ₂	3	4	5	6	8
A	mm	96	105	135	148	165	204	245
	inch	3.78	4.13	5.31	5.83	6.50	8.03	9.65
B	mm	75	90	110	127	145	175	210
	inch	2.95	3.54	4.33	5.00	5.71	6.89	8.27
C	mm	98	98	116	149	149	134	160
	inch	3.86	3.86	4.57	5.87	5.87	5.28	6.30
OD	mm	73.0/76.1	88.9	114.3	139.7/141.3	165.1/168.3	219.1	273
	inch	2.87/3	3.50	4.50	5.5/5.56	6.5/6.63	8.63	10.75

Factory installed UL, listed double Tamper Switches For indoor and Outdoor Use.