

PTFE Lined Chemical Service Valves



CONTENTS

Wafer Butterfly Valves	1
Lug Butterfly Valves	2
Wafer Split Body Concentric BFV	3
Lug Split Body Concentric BFV	4
Double Flange Split Body Concentric BFV	5
Wafer High Performance BFV	6

Company Profile

GALA - Extends Business on a Global Perspective.

GALA company offers a wide range of products and systems in the field of valves, piping, and seismic isolation for applications ranging from equipment for office buildings, fire fighting, heating, water works, sewerage, marine, industrial to top fluid control. Our aim is meaningful contribution to society by providing comfort and safety through our products, technical skills and services!

GALA - Professional Manufacturer of Industrial Valves

GALA have variety products to meet customer demand of different valve. Designing, manufacture and sale of one-stop service is the company's core strengths.

GALA products cover the following industry area:

Water supply system, water treatment, food, chemical, cement, air-conditioning systems, industry engineering, nuclear power, papermaking, Petrochemical Industry, pharmaceutical, Powder Industry, steel industry, sugar refining, textiles and so on. GALA anti-pollution environmental protection industry is one of the major business. GALA provides various valve for wastewater processing and exhaust gas processing.

GALA have wide variety of industrial valves, including following main products:

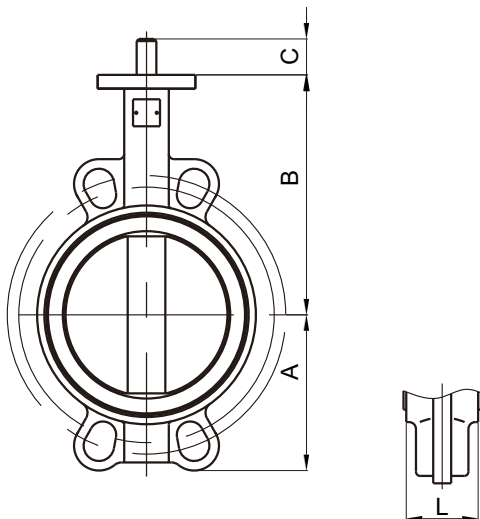
- ◆ Fire Protection Valve
- ◆ Balancing Valve
- ◆ Butterfly Valve
- ◆ Gate Valve, Globe Valve, Check Valve, Ball Valve
- ◆ Strainer
- ◆ Flexible Rubber Joint
- ◆ Flexible Stainless Steel Hose, Expansion Joint

Other Valves and fittings are also available from GALA.

All products will be designed, manufactured and assembly by GALA.



Fig. 2302



Valve Standard :

Comply with ISO 5752/BS 5155 /
BS EN 593/MSS SP-67/API 609

General Applications :

Chemically corrosive media
Purification plants
Pharmaceutical Industry
Adhesives, Paper Industry, Fuel Transport
Paint manufacture and processing
Food Industry

Pressure Temperature Ratings

Working pressure	10bar / 150psi
Testing Pressure	Shell:15bar / 225psi Seal:11bar / 165psi
Working Temperature	-20°C to 110°C EPDM backed -10°C to 80°C NBR backed

Material Specification

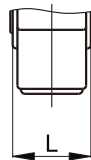
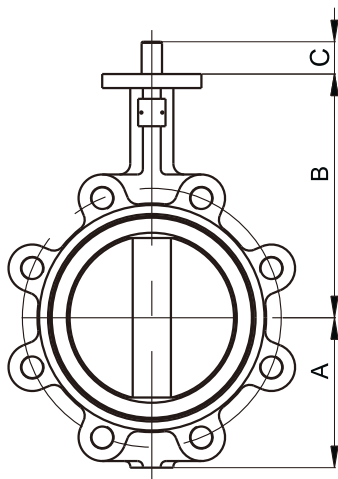
Part	Material	ASTM
Body	Cast Iron	A126 Class B
	Ductile Iron	A536 Gr. 65-45-12
	Carbon Steel	A216 WCB
	Stainless Steel	A351 CF8M / CF8
Disc	Bronze	B148 C95400
	Stainless Steel 304	A351 CF-8
	Stainless steel 316	A351 CF-8M
Shaft	Stainless Steel 410	A276 S 410 00
	Stainless Steel 316	A276 S 316 00
Seat	PTFE	
O-Ring	Fluorcarbon Caoutchouc	VITON

Dimensions

Size	mm	40	50	65	80	100	125	150	200
	inch	1-1/2	2	2-1/2	3	4	5	6	8
A		68	80	89	95	114	127	139	175
B		110	161	175	181	200	213	226	260
C		24	30	30	30	30	30	30	34
L		33	42	45	45	51	55	55	60

Size	mm	250	300	350	400	450	500	600	-
	inch	10	12	14	16	18	20	24	-
A		203	242	267	316	334	370	468	-
B		292	337	368	400	422	480	562	-
C		34	34	40	52	52	64	70	-
L		68	78	78	102	114	127	154	-

Fig. 2502



Valve Standard :

Comply with ISO 5752/BS 5155 /
BS EN 593/MSS SP-67/API 609

General Applications :

Chemically corrosive media
Purification plants
Pharmaceutical Industry
Adhesives, Paper Industry, Fuel Transport
Paint manufacture and processing
Food Industry

Pressure Temperature Ratings

Working pressure	10bar / 150psi
Testing Pressure	Shell:15bar / 225psi Seal:11bar / 165psi
Working Temperature	-20°C to 110°C EPDM backed -10°C to 80°C NBR backed

Material Specification

Part	Material	ASTM
Body	Cast Iron	A126 Class B
	Ductile Iron	A536 Gr. 65-45-12
	Carbon Steel	A216 WCB
	Stainless Steel	A351 CF8M / CF8
Disc	Bronze	B148 C95400
	Stainless Steel 304	A351 CF-8
	Stainless steel 316	A351 CF-8M
Shaft	Stainless Steel 410	A276 S 410 00
	Stainless Steel 316	A276 S 316 00
Seat	PTFE	
O-Ring	Fluorcarbon Caoutchouc	VITON

Dimensions

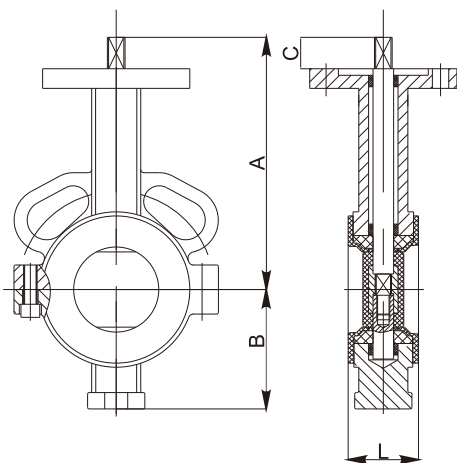
Size	mm	40	50	65	80	100	125	150	200
	inch	1-1/2	2	2-1/2	3	4	5	6	8
A		68	80	89	95	114	127	139	175
B		110	161	175	181	200	213	226	260
C		24	30	30	30	30	30	30	34
L		33	42	45	45	51	55	55	60

Size	mm	250	300	350	400	450	500	600	-
	inch	10	12	14	16	18	20	24	-
A		203	242	267	316	334	370	468	-
B		292	337	368	400	422	480	562	-
C		34	34	40	52	52	64	70	-
L		68	78	78	102	114	127	154	-

PN10/150PSI

Wafer Split Body Concentric BFV

Fig. 2310



Valve Standard :

Comply with ISO 5752/BS 5155 /
BS EN 593/MSS SP-67/API 609

General Applications :

- Chemically corrosive media
- Purification plants
- Pharmaceutical Industry
- Adhesives, Paper Industry, Fuel Transport
- Paint manufacture and processing
- Food Industry

Pressure Temperature Ratings

Working pressure	10bar / 150psi
Testing Pressure	Shell:15bar / 225psi
	Seat:11bar / 165psi
Working Temperature	-20 °C to 170°C(Silicone Backed) (depending on operation pressure)

Material Specification

Part	Material	ASTM
Body	Ductile Iron	A536 65-45-12
	Carbon Steel	A216 WCB
	Stainless Steel	A351 CF8M / CF8
Disc	Carbon Steel+PTFE	A216 WCB + PTFE
	Stainless Steel+PTFE	A351 CF8M + PTFE
	Stainless Steel	A351 CF8M / CF8
Shaft	Stainless Steel 410	A276 S 410 00
	Stainless Steel 316	A276 S 316 00
Seat	Polytetrafluorethylen	PTFE
"O" Ring	Fluorcarbon Caoutchouc	VITON

Dimensions

Size	mm	50	65	80	100	125	150	200
	inch	2	2-1/2	3	4	5	6	8
A		135	135	135	159	176	192	228
B		65	72	76	114	126	140	166
C		32	32	32	32	32	32	45
L		43	46	46	52	56	56	60

Size	mm	250	300	350	400	450	500	600
	inch	10	12	14	16	18	20	24
A		270	304	337	367	400	460	520
B		208	243	275	302	314	344	405
C		45	45	45	51	51	64	70
L		68	78	78	102	114	127	154

PN10/150PSI

Lug Split Body Concentric BFV

Fig. 2510



Valve Standard :

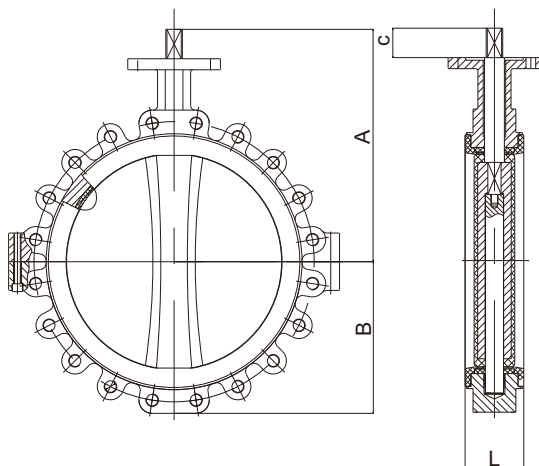
Comply with ISO 5752/BS 5155 /
BS EN 593/MSS SP-67/API 609

General Applications :

Chemically corrosive media
Purification plants
Pharmaceutical Industry
Adhesives, Paper Industry, Fuel Transport
Paint manufacture and processing
Food Industry

Pressure Temperature Ratings

Working pressure	10bar / 150psi
Testing Pressure	Shell:15bar / 225psi
	Seat:11bar / 165psi
Working Temperature	-20 °C to 170°C(Silicone Backed) (depending on operation pressure)



Material Specification

Part	Material	ASTM
Body	Ductile Iron	A536 65-45-12
	Carbon Steel	A216 WCB
	Stainless Steel	A351 CF8M / CF8
Disc	Carbon Steel+PTFE	A216 WCB + PTFE
	Stainless Steel+PTFE	A351 CF8M + PTFE
	Stainless Steel	A351 CF8M / CF8
Shaft	Stainless Steel 410	A276 S 410 00
	Stainless Steel 316	A276 S 316 00
Seat	Polytetrafluorethylen	PTFE

Dimensions

Size	mm	50	65	80	100	125	150	200
	inch	2	2-1/2	3	4	5	6	8
A		135	135	135	159	176	192	228
B		65	72	76	114	126	140	166
C		32	32	32	32	32	32	45
L		43	46	46	52	56	56	60

Size	mm	250	300	350	400	450	500	600
	inch	10	12	14	16	18	20	24
A		270	304	337	367	400	460	520
B		208	243	275	302	314	344	405
C		45	45	45	51	51	64	70
L		68	78	78	102	114	127	154

PN10/150PSI

Double Flange Split Body Concentric BFV

Fig. 2110



Valve Standard :

Comply with ISO 5752/BS 5155 /
BS EN 593

General Applications :

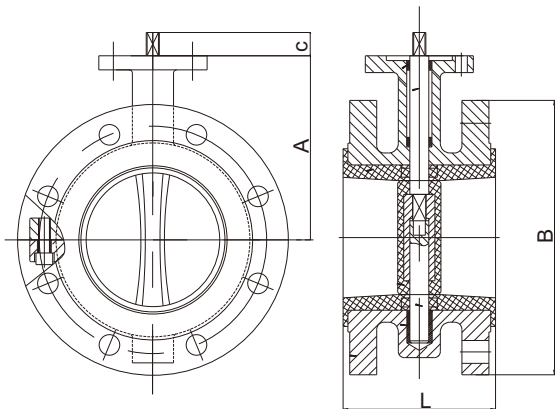
- Chemically corrosive media
- Purification plants
- Pharmaceutical Industry
- Adhesives, Paper Industry, Fuel Transport
- Paint manufacture and processing
- Food Industry

Pressure Temperature Ratings

Working pressure	10bar / 150psi
Testing Pressure	Shell:15bar / 225psi
	Seat:11bar / 165psi
Working Temperature	-20 °C to 170°C(Silicone Backed) (depending on operation pressure)

Material Specification

Part	Material	ASTM
Body	Ductile Iron	A536 65-45-12
	Carbon Steel	A216 WCB
	Stainless Steel	A351 CF8M / CF8
Disc	Carbon Steel+PTFE	A216 WCB + PTFE
	Stainless Steel+PTFE	A351 CF8M + PTFE
	Stainless Steel	A351 CF8M / CF8
Shaft	Stainless Steel 410	A276 S 410 00
	Stainless Steel 316	A276 S 316 00
Seat	Polytetrafluorethylen	PTFE
"O" Ring	Fluorcarbon Caoutchouc	VITON



Dimensions

Size	mm	50	65	80	100	125	150	200
	inch	2	2-1/2	3	4	5	6	8
A		135	135	135	159	176	192	228
B		152	178	190	228	254	279	343
C		32	32	32	32	32	32	45
L		108	112	114	127	140	140	152

Size	mm	250	300	350	400	450	500	600
	inch	10	12	14	16	18	20	24
A		270	304	337	367	400	460	520
B		406	483	533	596	635	698	813
C		45	45	45	51	51	64	70
L		165	178	190	216	222	229	267

PN16/200PSI

Wafer High Performance BFV

Fig. 2320



Valve Standard :

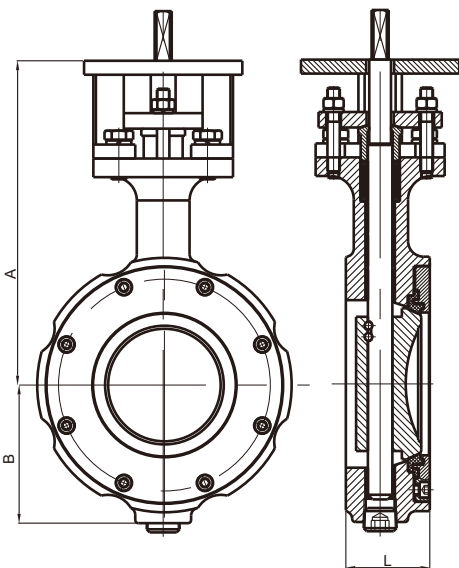
Comply with ISO 5752/BS 5155 /
BS EN 593/MSS SP-67/API 609

General Applications :

Chemically corrosive media
Purification plants
Pharmaceutical Industry
Adhesives, Paper Industry, Fuel Transport
Paint manufacture and processing

Pressure Temperature Ratings

Working pressure	16bar / 200psi
Testing Pressure	Shell:24bar / 300psi
	Seat:17.6bar / 220psi
Working Temperature	-20 °C to 170 °C



Material Specification

Part	Material	ASTM
Body	Ductile Iron	A536 65-45-12
	Carbon Steel	A216 WCB
	Stainless Steel	A351 CF8M / CF8
Disc	Ductile Iron	A536 65-45-12
	Carbon Steel	A216 WCB
	Stainless Steel	A351 CF8M / CF8
Shaft	Stainless Steel 410	A276 S 410 00
	Stainless Steel 316	A276 S 316 00
	Stainless Steel 304	A276 S 304 00
	Stainless Steel 17-4PH	A564 SUS630
Seat	Polytetrafluorethylen	PTFE / RPTFE

Dimensions

Size	mm	50	65	80	100	125	150	200
	inch	2	2-1/2	3	4	5	6	8
A		163	163	188	209	230	244	272
B		76	69	76	89	108	124	150
L		26.9	27.7	30.5	32	34	35	37.8

Size	mm	250	300	350	400	450	500	600
	inch	10	12	14	16	18	20	24
A		289	365	381	446	479	508	562
B		200	242	281	306	335	354	418
L		43.2	47.2	56	58.7	62.2	74.7	79



CAUTION

Technical data published in this catalogue have been developed from our design calculation, in-house testing, field reports provided by our customers and/or published official standard or specifications. They are good only to cover typical applications as a general guideline to users of GALA products introduced in this catalogue.

For any specific application, users are kindly requested to contact GALA for technical advice, or to carry out their own study and evaluation for providing suitability of the products to such an application. Failure to follow this request could result in property damage and/or personal injury, for which we shall not be liable.

While this catalogue has been compiled with the utmost care, we assume no responsibility for errors, impropriety or inadequacy. Any information provided in this catalogue is subject to from-time-to-time change without notice for error rectification, product discontinuation, design modification, new product introduction or any other cause that GALA considers necessary. This edition cancels all previous issues.